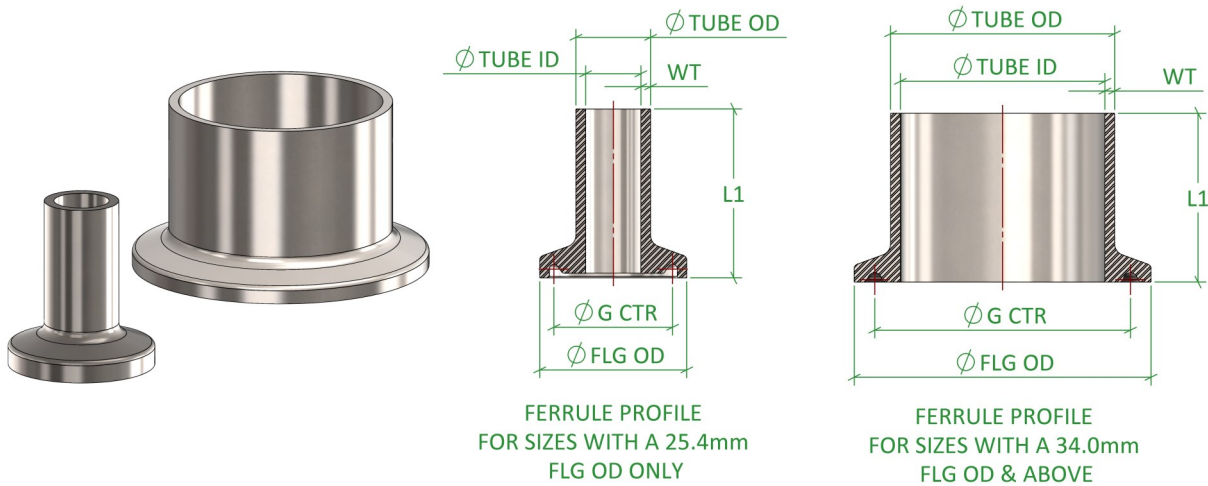


ASME BPE Fittings

DT-4.1.4-1A (DT22C) TC Ferrules, Short Length



Standard	ASME BPE 2016	Certification	EN10204 3.1
Connections	TC Fitting X Weld End	Associated Parts	DT1 Tube, All DT Tubular Fittings
Material	316L Stainless Steel EN 1.4404	Associated Standards	ASME BPE 2009 & 2012
Surface Finish	SF1-0.51Ra µm Max	Options	SF4-0.38Ra µm Max E/Polished On Request
Remarks	DT22A Long Length & DT22B Standard Length Also Available		

ASME BPE Fittings, DT-4.1.4-1C (DT22C), TC Ferrule, Short Length

Size (inch)	FLG OD (mm)	TUBE OD (mm)	TUBE ID (mm)	WT (mm)	G CTR (mm)	L1 (mm)	Part Code
0.500"	25.40	12.70	9.40	1.65	20.30	12.70	BPE.DT22C.0050.SF1
0.750"	25.40	19.05	15.75	1.65	20.30	12.70	BPE.DT22C.0075.SF1
1.000"	50.50	25.40	22.10	1.65	43.64	12.70	BPE.DT22C.0100.SF1
1.500"	50.50	38.10	34.80	1.65	43.64	12.70	BPE.DT22C.0150.SF1
2.000"	64.00	50.80	47.50	1.65	56.34	12.70	BPE.DT22C.0200.SF1
2.500"	77.50	63.50	60.20	1.65	70.64	12.70	BPE.DT22C.0250.SF1
3.000"	91.00	76.20	72.90	1.65	83.34	12.70	BPE.DT22C.0300.SF1
4.000"	119.00	101.60	97.38	2.11	110.34	15.88	BPE.DT22C.0400.SF1
6.000"	167.00	152.40	146.86	2.77	156.87	19.05	BPE.DT22C.0600.SF1

Published Data Is Given in Good Faith. We Reserve the Right To, Without Warning Change the Dimensions When Not In Conflict With The Published Standard

Flowsource Process Fittings Ltd

Unit 4 Marrtree Business Park, Cedar Road, Sowerby, Thirsk, North Yorkshire, YO7 3FF, United Kingdom
 [T] 01535 274 316 - [e] sales@flowsourcepf.com - [w] www.flowsourcepf.com

FLWSOURCE
PROCESS FITTINGS