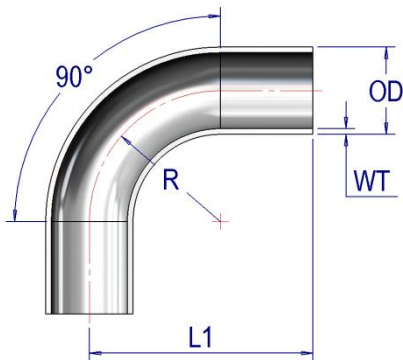
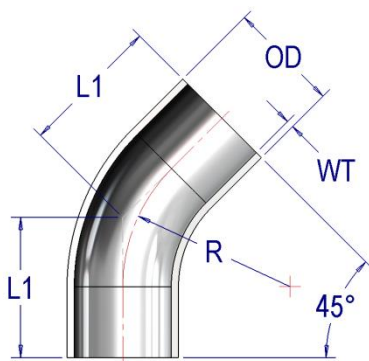




90° Bends Long, DIN 11865-B, Weld Ended, ISO Tube						
NW Size	Dimensions [mm]				Part Code	
	OD	WT	L1	R		
8	10.2	1.6	45.0	20.0	90.DNB.006	
10	13.5	1.6	45.0	20.0	90.DNB.008	
12	17.2	1.6	53.0	28.0	90.DNB.012	
15	21.3	1.6	55.0	30.0	90.DNB.015	
20	26.9	1.6	68.5	28.5	90.DNB.020	
25	33.7	2.0	78.0	38.0	90.DNB.025	
32	42.4	2.0	87.5	47.5	90.DNB.032	
40	48.3	2.0	97.0	57.0	90.DNB.040	
50	60.3	2.0	116.0	76.0	90.DNB.050	
65	76.1	2.0	150.0	95.0	90.DNB.065	
80	88.9	2.3	169.5	114.5	90.DNB.080	
100	114.3	2.3	207.5	152.5	90.DNB.100	
125	139.7	2.6	245.5	190.5	90.DNB.125	
150	168.3	2.6	283.5	228.5	90.DNB.150	
200	219.1	2.6	385.0	305.0	90.DNB.200	



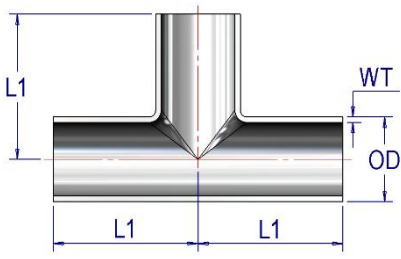
45° Bends Long, DIN 11865-B, Weld Ended, ISO Tube						
NW Size	Dimensions [mm]				Part Code	
	OD	WT	L1	R		
8	10.2	1.6	33.3	20.0	45.DNB.006	
10	13.5	1.6	33.3	20.0	45.DNB.008	
12	17.2	1.6	36.6	28.0	45.DNB.012	
15	21.3	1.6	37.4	30.0	45.DNB.015	
20	26.9	1.6	51.8	28.5	45.DNB.020	
25	33.7	2.0	55.7	38.0	45.DNB.025	
32	42.4	2.0	59.7	47.5	45.DNB.032	
40	48.3	2.0	63.6	57.0	45.DNB.040	
50	60.3	2.0	71.5	76.0	45.DNB.050	
65	76.1	2.0	94.4	95.0	45.DNB.065	
80	88.9	2.3	102.4	114.5	45.DNB.080	
100	114.3	2.3	118.2	152.5	45.DNB.100	
125	139.7	2.6	133.9	190.5	45.DNB.125	
150	168.3	2.6	149.7	228.5	45.DNB.150	
200	219.1	2.6	206.3	305.0	45.DNB.200	



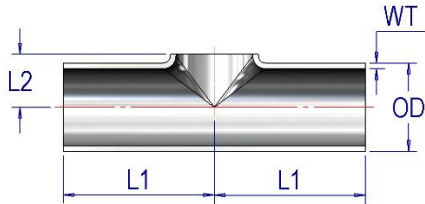
Material Grade	OD Surface Finish	Add Code	Product Specifications	
304L / 1.4307 Stainless Steel	Descaled	.4D	Certification Available	EN10204 3.1
316L / 1.4404 Stainless Steel	Descaled	.6D	Suits Tube Standard	DIN 11866 , ISO 1127
304L / 1.4307 Stainless Steel	Dull Polished	.4P	Suits Clamp Fittings	DIN 32676-B
316L / 1.4404 Stainless Steel	Dull Polished	.6P		



Equal Tee, DIN 11865-B, Weld Ended, ISO Tube					
NW Size	Dimensions [mm]				Part Code
	OD	WT	L1		
8	10.2	1.6	30.0		TE.DNB.006
10	13.5	1.6	32.0		TE.DNB.008
12	17.2	1.6	34.0		TE.DNB.012
15	21.3	1.6	36.0		TE.DNB.015
20	26.9	1.6	55.0		TE.DNB.020
25	33.7	2.0	60.0		TE.DNB.025
32	42.4	2.0	65.0		TE.DNB.032
40	48.3	2.0	65.0		TE.DNB.040
50	60.3	2.0	90.0		TE.DNB.050
65	76.1	2.0	110.0		TE.DNB.065
80	88.9	2.3	130.0		TE.DNB.080
100	114.3	2.3	160.0		TE.DNB.100
125	139.7	2.6	200.0		TE.DNB.125
150	168.3	2.6	250.0		TE.DNB.150
200	219.1	2.6	300.0		TE.DNB.200



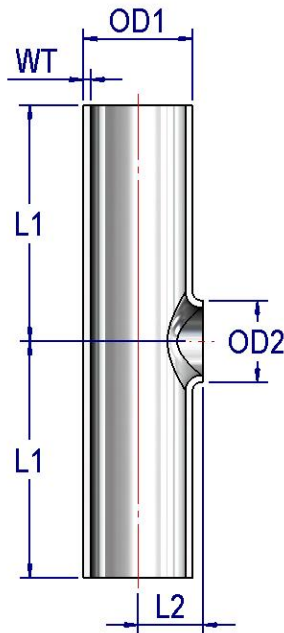
Pulled Tee, DIN 11865-B, Weld Ended, ISO Tube					
NW Size	Dimensions [mm]				Part Code
	OD	WT	L1	L2	
12	17.2	1.6	34.0		TP.DNB.012
15	21.3	1.6	36.0		TP.DNB.015
20	26.9	1.6	55.0		TP.DNB.020
25	33.7	2.0	60.0		TP.DNB.025
32	42.4	2.0	65.0		TP.DNB.032
40	48.3	2.0	65.0		TP.DNB.040
50	60.3	2.0	90.0		TP.DNB.050
65	76.1	2.0	110.0		TP.DNB.065
80	88.9	2.3	130.0		TP.DNB.080
100	114.3	2.3	160.0		TP.DNB.100
125	139.7	2.6	200.0		TP.DNB.125
150	168.3	2.6	250.0		TP.DNB.150
200	219.1	2.6	300.0		TP.DNB.200



Material Grade	OD Surface Finish	Add Code	Product Specifications	
304L / 1.4307 Stainless Steel	Descaled	.4D	Certification Available	EN10204 3.1
316L / 1.4404 Stainless Steel	Descaled	.6D	Suits Tube Standard	DIN 11866 , ISO 1127
304L / 1.4307 Stainless Steel	Dull Polished	.4P	Suits Clamp Fittings	DIN 32676-B
316L / 1.4404 Stainless Steel	Dull Polished	.6P		



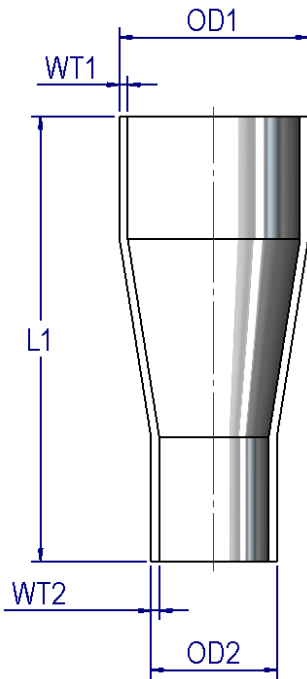
Pulled Reducing Tee, DIN 11865-B, Weld Ended, ISO Tube



Size NW x NW	Dimensions [mm]				Part Code
	OD1	OD2	L1	L2	
012 x 006	17.2	10.2	34.0	10.1	TR.DNB.012.006
012 x 010	17.2	13.5	34.0	10.1	TR.DNB.012.010
015 x 006	21.3	10.2	36.0	12.2	TR.DNB.015.006
015 x 010	21.3	13.5	36.0	12.2	TR.DNB.015.010
015 x 012	21.3	17.2	36.0	12.2	TR.DNB.015.012
020 x 010	26.9	13.5	55.0	15.0	TR.DNB.020.010
020 x 012	26.9	17.2	55.0	15.0	TR.DNB.020.012
020 x 015	26.9	21.3	55.0	15.0	TR.DNB.020.015
025 x 012	33.7	17.2	60.0	18.4	TR.DNB.025.012
025 x 015	33.7	21.3	60.0	18.4	TR.DNB.025.015
025 x 020	33.7	26.9	60.0	18.4	TR.DNB.025.020
032 x 015	42.4	21.3	65.0	22.7	TR.DNB.032.015
032 x 020	42.4	26.9	65.0	22.7	TR.DNB.032.020
032 x 025	42.4	33.7	65.0	22.7	TR.DNB.032.025
040 x 020	48.3	26.9	65.0	25.7	TR.DNB.040.020
040 x 025	48.3	33.7	65.0	25.7	TR.DNB.040.025
040 x 032	48.3	42.4	65.0	26.2	TR.DNB.040.032
050 x 025	60.3	33.7	90.0	31.7	TR.DNB.050.025
050 x 032	60.3	42.4	90.0	32.2	TR.DNB.050.032
050 x 040	60.3	48.3	90.0	32.7	TR.DNB.050.040
065 x 032	76.1	42.4	110.0	40.1	TR.DNB.065.032
065 x 040	76.1	48.3	110.0	40.6	TR.DNB.065.040
065 x 050	76.1	60.3	110.0	41.6	TR.DNB.065.050
080 x 040	88.9	48.3	130.0	47.0	TR.DNB.080.040
080 x 050	88.9	60.3	130.0	48.0	TR.DNB.080.050
080 x 065	88.9	76.1	130.0	49.5	TR.DNB.080.065
100 x 050	114.3	60.3	160.0	60.7	TR.DNB.100.050
100 x 065	114.3	76.1	160.0	62.2	TR.DNB.100.065
100 x 080	114.3	88.9	160.0	62.2	TR.DNB.100.080
125 x 065	139.7	76.1	200.0	74.9	TR.DNB.125.065
125 x 080	139.7	88.9	200.0	74.9	TR.DNB.125.080
125 x 100	139.7	114.3	200.0	75.9	TR.DNB.125.100
150 x 080	168.3	88.9	250.0	89.2	TR.DNB.150.080
150 x 100	168.3	114.3	250.0	90.2	TR.DNB.150.100
150 x 125	168.3	139.7	250.0	94.2	TR.DNB.150.125
200 x 100	219.1	114.3	300.0	115.6	TR.DNB.200.100
200 x 125	219.1	139.7	300.0	119.6	TR.DNB.200.125
200 x 150	219.1	168.3	300.0	122.6	TR.DNB.200.150



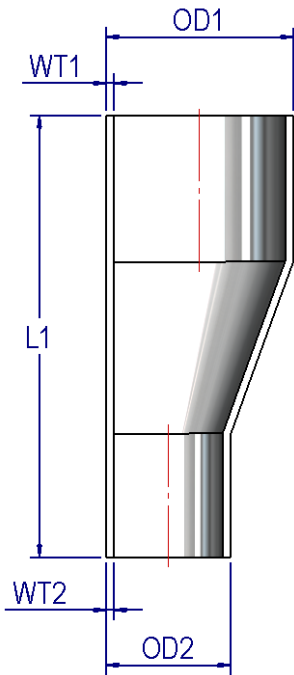
Concentric Reducers, DIN 11865-B, Weld Ended, ISO Tube						
Size NW x NW	Dimensions [mm]					Part Code
	OD1	WT1	OD2	WT2	L1	
010 x 006	13.5	1.6	10.2	1.6	38.0	RC.DNB.010.006
012 x 006	17.2	1.6	10.2	1.6	60.0	RC.DNB.012.006
012 x 010	17.2	1.6	13.5	1.6	60.0	RC.DNB.012.010
015 x 010	21.3	1.6	13.5	1.6	60.0	RC.DNB.015.010
015 x 012	21.3	1.6	17.2	1.6	60.0	RC.DNB.015.012
020 x 012	26.9	1.6	17.2	1.6	60.0	RC.DNB.020.012
020 x 015	26.9	1.6	21.3	1.6	60.0	RC.DNB.020.015
025 x 015	33.7	2.0	21.3	1.6	70.0	RC.DNB.025.015
025 x 020	33.7	2.0	26.9	1.6	70.0	RC.DNB.025.020
032 x 020	42.4	2.0	26.9	1.6	80.0	RC.DNB.032.020
032 x 025	42.4	2.0	33.7	2.0	80.0	RC.DNB.032.025
040 x 020	48.3	2.0	26.9	1.6	90.0	RC.DNB.040.020
040 x 025	48.3	2.0	33.7	2.0	90.0	RC.DNB.040.025
040 x 032	48.3	2.0	42.4	2.0	90.0	RC.DNB.040.032
050 x 025	60.3	2.0	33.7	2.0	100.0	RC.DNB.050.025
050 x 032	60.3	2.0	42.4	2.0	100.0	RC.DNB.050.032
050 x 040	60.3	2.0	48.3	2.0	100.0	RC.DNB.050.040
065 x 040	76.1	2.0	48.3	2.0	110.0	RC.DNB.065.040
065 x 050	76.1	2.0	60.3	2.0	110.0	RC.DNB.065.050
080 x 050	88.9	2.3	60.3	2.0	110.0	RC.DNB.080.050
080 x 065	88.9	2.3	76.1	2.0	110.0	RC.DNB.080.065
100 x 065	114.3	2.3	76.1	2.0	135.0	RC.DNB.100.065
100 x 080	114.3	2.3	88.9	2.3	135.0	RC.DNB.100.080
125 x 080	139.7	2.6	88.9	2.3	150.0	RC.DNB.125.080
125 x 100	139.7	2.6	114.3	2.3	150.0	RC.DNB.125.100
150 x 100	168.3	2.6	114.3	2.3	170.0	RC.DNB.150.100
150 x 125	168.3	2.6	139.7	2.3	170.0	RC.DNB.150.125
200 x 125	219.1	2.6	139.7	2.3	230.0	RC.DNB.200.125
200 x 150	219.1	2.6	168.3	2.3	230.0	RC.DNB.200.125



Material Grade	OD Surface Finish	Add Code	Product Specifications	
304L / 1.4307 Stainless Steel	Descaled	.4D	Certification Available	EN10204 3.1
316L / 1.4404 Stainless Steel	Descaled	.6D	Suits Tube Standard	DIN 11866 , ISO 1127
304L / 1.4307 Stainless Steel	Dull Polished	.4P	Suits Clamp Fittings	DIN 32676-B
316L / 1.4404 Stainless Steel	Dull Polished	.6P		



Eccentric Reducers, DIN 11865-B, Weld Ended, ISO Tube						
Size NW x NW	Dimensions [mm]					Part Code
	OD1	WT1	OD2	WT2	L1	
010 x 006	13.5	1.6	10.2	1.6	38.0	RE.DNB.010.006
012 x 006	17.2	1.6	10.2	1.6	60.0	RE.DNB.012.006
012 x 010	17.2	1.6	13.5	1.6	60.0	RE.DNB.012.010
015 x 010	21.3	1.6	13.5	1.6	60.0	RE.DNB.015.010
015 x 012	21.3	1.6	17.2	1.6	60.0	RE.DNB.015.012
020 x 012	26.9	1.6	17.2	1.6	60.0	RE.DNB.020.012
020 x 015	26.9	1.6	21.3	1.6	60.0	RE.DNB.020.015
025 x 015	33.7	2.0	21.3	1.6	70.0	RE.DNB.025.015
025 x 020	33.7	2.0	26.9	1.6	70.0	RE.DNB.025.020
032 x 020	42.4	2.0	26.9	1.6	80.0	RE.DNB.032.020
032 x 025	42.4	2.0	33.7	2.0	80.0	RE.DNB.032.025
040 x 020	48.3	2.0	26.9	1.6	90.0	RE.DNB.040.020
040 x 025	48.3	2.0	33.7	2.0	90.0	RE.DNB.040.025
040 x 032	48.3	2.0	42.4	2.0	90.0	RE.DNB.040.032
050 x 025	60.3	2.0	33.7	2.0	100.0	RE.DNB.050.025
050 x 032	60.3	2.0	42.4	2.0	100.0	RE.DNB.050.032
050 x 040	60.3	2.0	48.3	2.0	100.0	RE.DNB.050.040
065 x 040	76.1	2.0	48.3	2.0	110.0	RE.DNB.065.040
065 x 050	76.1	2.0	60.3	2.0	110.0	RE.DNB.065.050
080 x 050	88.9	2.3	60.3	2.0	110.0	RE.DNB.080.050
080 x 065	88.9	2.3	76.1	2.0	110.0	RE.DNB.080.065
100 x 065	114.3	2.3	76.1	2.0	135.0	RE.DNB.100.065
100 x 080	114.3	2.3	88.9	2.3	135.0	RE.DNB.100.080
125 x 080	139.7	2.6	88.9	2.3	150.0	RE.DNB.125.080
125 x 100	139.7	2.6	114.3	2.3	150.0	RE.DNB.125.100
150 x 100	168.3	2.6	114.3	2.3	170.0	RE.DNB.150.100
150 x 125	168.3	2.6	139.7	2.3	170.0	RE.DNB.150.125
200 x 125	219.1	2.6	139.7	2.3	230.0	RE.DNB.200.125
200 x 150	219.1	2.6	168.3	2.3	230.0	RE.DNB.200.125



Material Grade	OD Surface Finish	Add Code	Product Specifications	
304L / 1.4307 Stainless Steel	Descaled	.4D	Certification Available	EN10204 3.1
316L / 1.4404 Stainless Steel	Descaled	.6D	Suits Tube Standard	DIN 11866 , ISO 1127
304L / 1.4307 Stainless Steel	Dull Polished	.4P	Suits Clamp Fittings	DIN 32676-B
316L / 1.4404 Stainless Steel	Dull Polished	.6P		