

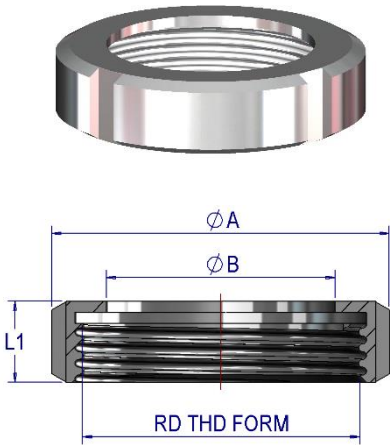


DIN11851 Male, Metric Tube					
DN Size	Dimensions [mm]				Part Code
	OD	WT	THD OD	L1	
10	15.0	2.5	RD28X1/8"	21.0	D51.M.D010
15	21.0	2.5	RD34X1/8"	21.0	D51.M.D015
20	25.0	2.5	RD44X1/6"	24.0	D51.M.D020
25	31.0	2.5	RD52X1/6"	29.0	D51.M.D025
32	37.0	2.5	RD58X1/6"	32.0	D51.M.D032
40	43.0	2.5	RD65X1/6"	33.0	D51.M.D040
50	55.0	2.5	RD78X1/6"	35.0	D51.M.D050
65	72.0	3.0	RD95X1/6"	40.0	D51.M.D065
80	87.0	3.0	RD110X1/4"	45.0	D51.M.D080
100	106.0	3.0	RD130X1/4"	54.0	D51.M.D100
125	132.0	3.5	RD160X1/4"	46.0	D51.M.D125
150	157.0	3.5	RD190X1/4"	50.0	D51.M.D150

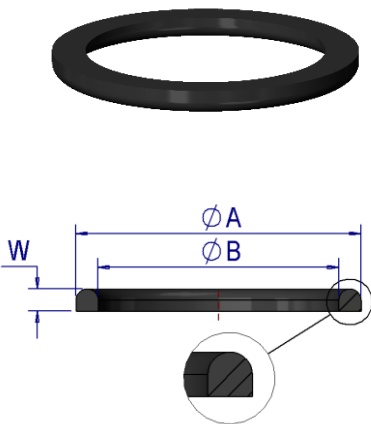
DIN11851 Liner, Metric Tube					
DN Size	Dimensions [mm]				Part Code
	OD	WT	C	L1	
10	15.0	2.5	22.0	17.0	D51.L.D010
15	21.0	2.5	28.0	17.0	D51.L.D015
20	25.0	2.5	36.0	18.0	D51.L.D020
25	31.0	2.5	44.0	22.0	D51.L.D025
32	37.0	2.5	50.0	25.0	D51.L.D032
40	43.0	2.5	56.0	26.0	D51.L.D040
50	55.0	2.5	65.0	28.0	D51.L.D050
65	72.0	3.0	86.0	32.0	D51.L.D065
80	87.0	3.0	100.0	37.0	D51.L.D080
100	106.0	3.0	121.0	44.0	D51.L.D100
125	132.0	3.5	150.0	34.0	D51.L.D125
150	157.0	3.5	176.0	37.0	D51.L.D150



DIN11851 Round Slotted Nut, Metric Tube						
DN Size	Dimensions [mm]				Part Code	
	A	B	THD OD	L1		
10	38.0	19.0	RD28X1/8"	18.0	D51.N.D010	
15	44.0	25.0	RD34X1/8"	18.0	D51.N.D015	
20	54.0	31.0	RD44X1/6"	20.0	D51.N.D020	
25	63.0	36.0	RD52X1/6"	21.0	D51.N.D025	
32	70.0	42.0	RD58X1/6"	21.0	D51.N.D032	
40	78.0	49.0	RD65X1/6"	21.0	D51.N.D040	
50	92.0	62.0	RD78X1/6"	22.0	D51.N.D050	
65	112.0	80.0	RD95X1/6"	25.0	D51.N.D065	
80	127.0	94.0	RD110X1/4"	29.0	D51.N.D080	
100	138.0	115.0	RD130X1/4"	31.0	D51.N.D100	
125	178.0	138.0	RD160X1/4"	35.0	D51.N.D125	
150	210.0	164.0	RD190X1/4"	41.0	D51.N.D150	

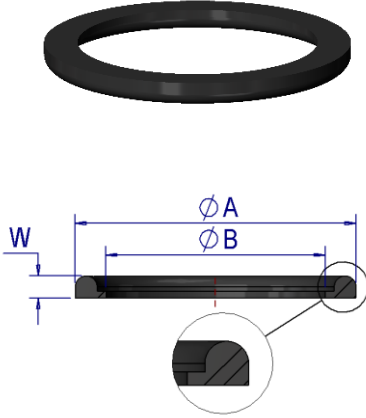


DIN11851 Standard Seal, Metric Tube						
DN Size	Dimensions [mm]				Part Code	
	A	B	W			
10	20.0	12.0	4.5		D51.S.D010	
15	26.0	18.0	4.5		D51.S.D015	
20	33.0	23.0	4.5		D51.S.D020	
25	40.0	30.0	5.0		D51.S.D025	
32	46.0	36.0	5.0		D51.S.D032	
40	52.0	42.0	5.0		D51.S.D040	
50	64.0	54.0	5.0		D51.S.D050	
65	81.0	71.0	5.0		D51.S.D065	
80	95.0	85.0	5.0		D51.S.D080	
100	114.0	104.0	6.0		D51.S.D100	
125	142.0	130.0	7.0		D51.S.D125	
150	167.0	155.0	7.0		D51.S.D150	





DIN11851 Inner Lip Hygienic Seal, Metric Tube					
DN Size	Dimensions [mm]				Part Code
	A	B	W		
10	20.0	10	4.5		D51.SL.D010
15	26.0	16.0	4.5		D51.SL.D015
20	33.0	20.0	4.5		D51.SL.D020
25	40.0	26.0	5.0		D51.SL.D025
32	46.0	32.0	5.0		D51.SL.D032
40	52.0	38.0	5.0		D51.SL.D040
50	64.0	50.0	5.0		D51.SL.D050
65	81.0	66.0	5.0		D51.SL.D065
80	95.0	81.0	5.0		D51.SL.D080
100	114.0	100.0	6.0		D51.SL.D100
125	142.0	125.0	7.0		D51.SL.D125
150	167.0	150.0	7.0		D51.SL.D150



Material Grade	Part	Add Code	Product Specification	
316L / 1.4404 Stainless Steel	DIN11851 Male	.6	Certification Available	EN10204 3.1
316L / 1.4404 Stainless Steel	DIN11851 Liner	.6	Suits Tube Standard	DN11850
304L / 1.4307 Stainless Steel	DIN11851 Nut	.4		