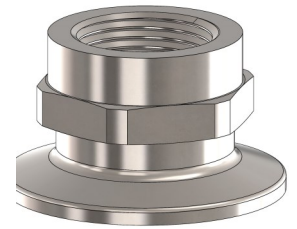
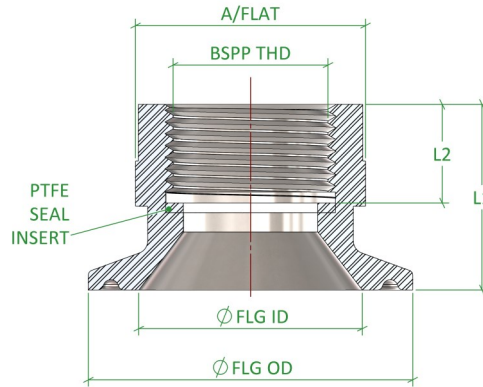
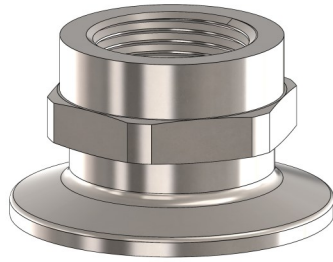


# Adapters

## TC Ferrule X BSPP Female



<b>Standard</b>	BS4825-3, Flowsource PF	<b>Certification</b>	EN10204 3.1
<b>Connections</b>	TC Fitting BS4825-3 X BSPP Female	<b>Associated Parts</b>	TC Ferrule X BSP Male, TC Clamp, TC Gasket
<b>Material</b>	316L Stainless Steel EN 1.4404 / Teflon Insert	<b>Associated Standards</b>	ASME BPE 2019, DIN32676-C
<b>Surface Finish</b>	0.8Ra Internal Wetted Surfaces	<b>Options</b>	Non Standard Sizes, Duplex Materials

### Adapters, TC Ferrule X BSP Female

Size (inch) TC Ferrule X BSP Female	FLG OD (mm)	FLG ID (mm)	THD ID (G Inch)	A Flat (mm)	L1 (mm)	L2 (mm)	Part Ordering Code
0.50" X 0.13"	25.40	9.40	1/8"	18.80	22.10	9.10	A.CFBF.050.013
0.50" X 0.25"	25.40	9.40	1/4"	21.80	23.10	10.10	A.CFBF.050.025
0.50" X 0.38"	25.40	9.40	3/8"	26.80	25.50	11.10	A.CFBF.050.038
0.50" X 0.50"	25.40	9.40	1/2"	29.80	27.90	14.10	A.CFBF.050.050
0.75" X 0.13"	25.40	15.75	1/8"	18.80	22.10	9.10	A.CFBF.075.013
0.75" X 0.25"	25.40	15.75	1/4"	21.80	23.10	10.10	A.CFBF.075.025
0.75" X 0.38"	25.40	15.75	3/8"	26.80	24.10	11.10	A.CFBF.075.038
0.75" X 0.50"	25.40	15.75	1/2"	29.80	27.90	14.10	A.CFBF.075.050
0.75" X 0.75"	25.40	15.75	3/4"	35.80	28.80	15.80	A.CFBF.075.075
1.00" X 0.13"	50.50	22.10	1/8"	18.80	22.10	9.10	A.CFBF.100.013
1.00" X 0.25"	50.50	22.10	1/4"	21.80	23.10	10.10	A.CFBF.100.025
1.00" X 0.38"	50.50	22.10	3/8"	26.80	24.10	11.10	A.CFBF.100.038
1.00" X 0.50"	50.50	22.10	1/2"	29.80	27.90	14.10	A.CFBF.100.050
1.00" X 0.75"	50.50	22.10	3/4"	35.80	28.80	15.80	A.CFBF.100.075
1.00" X 1.00"	50.50	22.10	1"	45.60	31.10	18.10	A.CFBF.100.100
1.50" X 0.13"	50.50	34.80	1/8"	18.80	22.10	9.10	A.CFBF.150.013
1.50" X 0.25"	50.50	34.80	1/4"	21.80	23.10	10.10	A.CFBF.150.025
1.50" X 0.38"	50.50	34.80	3/8"	26.80	24.10	11.10	A.CFBF.150.038
1.50" X 0.50"	50.50	34.80	1/2"	29.80	27.90	14.10	A.CFBF.150.050
1.50" X 0.75"	50.50	34.80	3/4"	35.80	28.80	15.80	A.CFBF.150.075
1.50" X 1.00"	50.50	34.80	1"	45.60	31.10	18.10	A.CFBF.150.100
1.50" X 1.25"	50.50	34.80	1 1/4"	53.80	36.10	19.10	A.CFBF.150.125
1.50" X 1.50"	50.50	34.80	1 1/2"	59.80	40.80	58.60	A.CFBF.150.150
2.00" X 0.50"	64.00	47.50	1/2"	29.80	27.90	14.10	A.CFBF.200.050
2.00" X 0.75"	64.00	47.50	3/4"	35.80	28.80	15.80	A.CFBF.200.075
2.00" X 1.00"	64.00	47.50	1"	45.60	31.10	18.10	A.CFBF.200.100
2.00" X 1.25"	64.00	47.50	1 1/4"	53.80	36.10	19.10	A.CFBF.200.125
2.00" X 1.50"	64.00	47.50	1 1/2"	59.80	39.10	21.10	A.CFBF.200.150
2.00" X 2.00"	64.00	47.50	2"	73.80	43.40	73.00	A.CFBF.200.200
2.50" X 1.00"	77.50	60.20	1"	45.60	31.10	18.10	A.CFBF.250.100
2.50" X 1.25"	77.50	60.20	1 1/4"	53.80	36.10	19.10	A.CFBF.250.125
2.00" X 1.50"	77.50	60.20	1 1/2"	59.80	39.10	21.10	A.CFBF.250.150
2.50" X 2.00"	77.50	60.20	2"	73.80	42.10	23.10	A.CFBF.250.200
2.50" X 2.50"	77.50	60.20	2 1/2"	90.80	48.00	29.00	A.CFBF.250.250
3.00" X 1.00"	91.00	72.90	1"	45.60	31.10	18.10	A.CFBF.300.100
3.00" X 1.25"	91.00	72.90	1 1/4"	53.80	36.10	19.10	A.CFBF.300.125
3.00" X 1.50"	91.00	72.90	1 1/2"	59.80	39.10	21.10	A.CFBF.300.150
3.00" X 2.00"	91.00	72.90	2"	73.80	42.10	23.10	A.CFBF.300.200
3.00" X 2.50"	91.00	72.90	2 1/2"	90.80	48.00	29.00	A.CFBF.300.250
3.00" X 3.00"	91.00	72.90	3"	107.90	51.00	32.00	A.CFBF.300.300

Published Data Is Given in Good Faith. We Reserve the Right To, Without Warning Change the Dimensions When Not In Conflict With The Published Standard

#### Flowsource Process Fittings

Unit 2D Hockney Road Industrial Estate, West Yorkshire, BD8 9HQ, United Kingdom  
 [T] 01535 274 316 - [e] sales@flowsourcepf.com - [w] www.flowsourcepf.com

**FLOWSOURCE**  
**PROCESS FITTINGS**