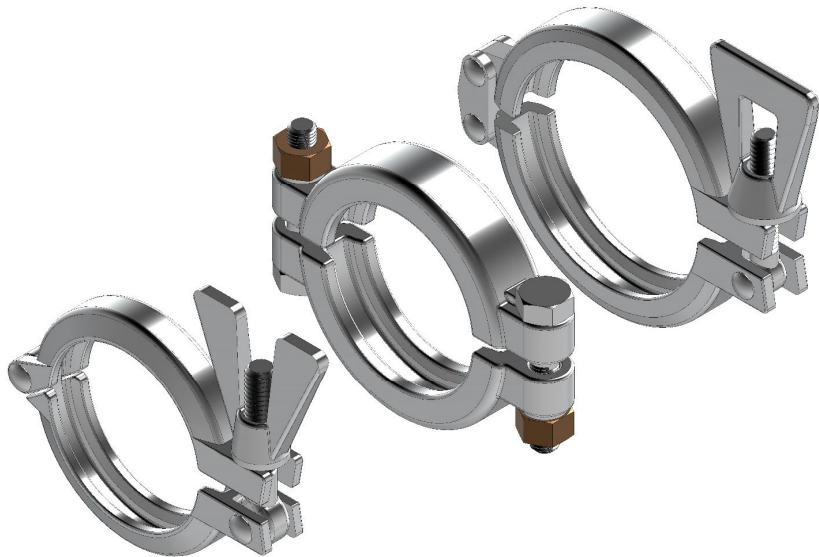




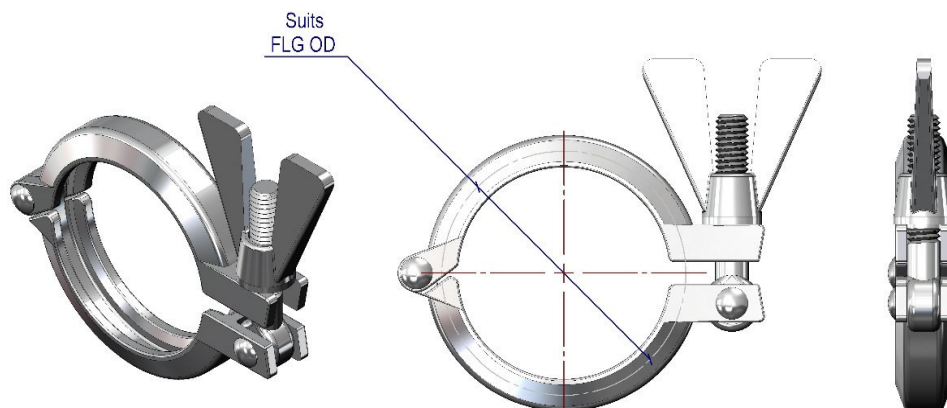
www.ProcessFittings.com
Suppliers of Quality Stainless Steel Tubular Components
www.processfittings.com • sales@processfittings.com

TRI-CLAMP, CLAMPS



www.ProcessFittings.com

V Process Design Ltd, Glenwood, Tollerton Road, Huby, North Yorkshire, YO61 1HT, United Kingdom
[t] 01347 810136 - [m] 07446 899062 - [w] www.processfittings.com - [e] sales@processfittings.com

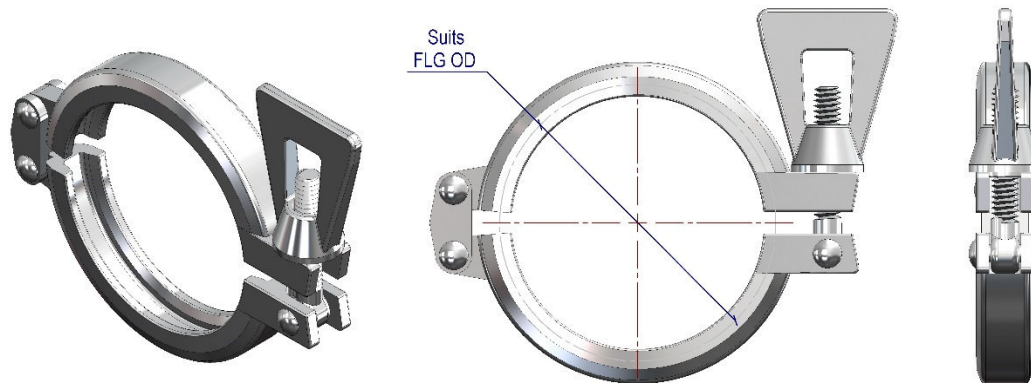


Hygienic Union, Tri-Clamp, Universal / All Standards, 13MHM Clamp

Inch Size	Dimensions [mm]			Operating Pressure		Part Code
	FLG OD			bar	psi	
0.50"-0.75"	25.4			25	363	CC.13MHM.050
DN10/15/20	34.0			25	363	CC.13MHM.D10
1.00"-1.50"	50.5			25	363	CC.13MHM.100
2.00"	64.0			25	363	CC.13MHM.200
2.50"	77.5			25	363	CC.13MHM.250
3.00"	91.0			20	290	CC.13MHM.300
3.50"	106.0			15	218	CC.13MHM.350
4.00"	119.0			15	218	CC.13MHM.400
4.50"	130.0			15	218	CC.13MHM.450
6.00"	167.0			15	218	CC.13MHM.600
8.00"	217.4			8	116	CC.13MHM.800

Wing-nuts can be replaced with domed hex nuts, please contact our sales team for further information.

Material Grade	ID Surface Finish	Add Code	Product Specifications	
304 / 1.4301 Stainless Steel	Barrel Polished		Certification Available	EN10204 3.1 on request
			Suits Tri-Clamp Standard	Universal, All Standards

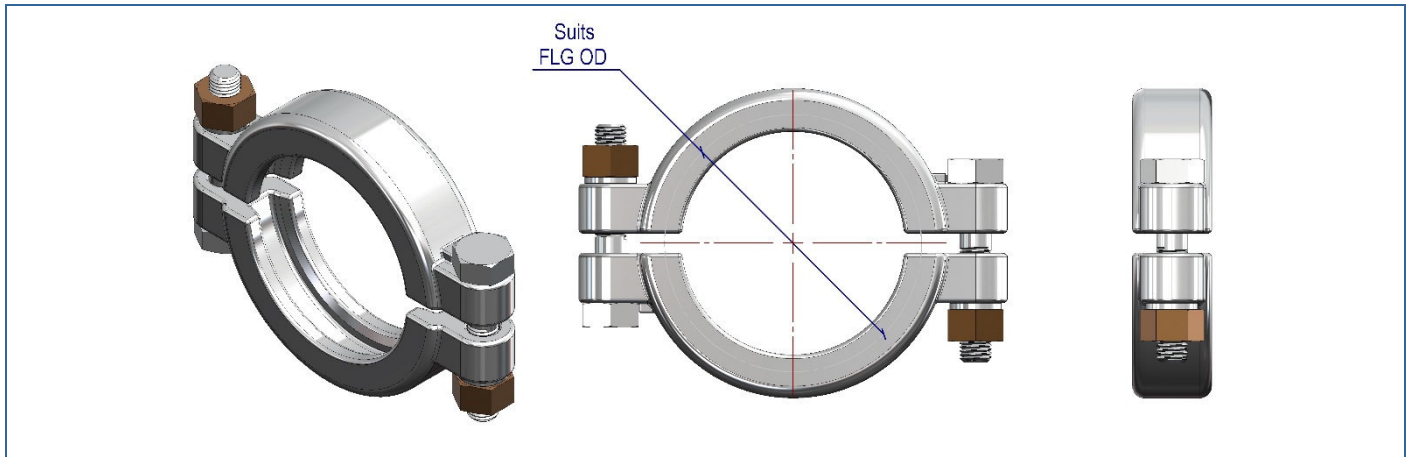


Hygienic Union, Tri-Clamp, Universal / All Standards, 13MHMD Clamp

Inch Size	Dimensions [mm]			Operating Pressure		Part Code
	FLG OD			bar	psi	
0.50"-0.75"	25.4			50	725	CC.13MHMD.050
DN10/15/20	34.0			50	725	CC.13MHMD.D10
1.00"-1.50"	50.5			50	725	CC.13MHMD.100
2.00"	64.0			50	725	CC.13MHMD.200
2.50"	77.5			50	725	CC.13MHMD.250
3.00"	91.0			40	580	CC.13MHMD.300
3.50"	106.0			30	435	CC.13MHMD.350
4.00"	119.0			25	363	CC.13MHMD.400
4.50"	130.0			25	363	CC.13MHMD.450
5.00"	144.4			25	363	CC.13MHMD.500
5.50"	155.0			25	363	CC.13MHMD.550
6.00"	167.0			20	290	CC.13MHMD.600
6.58"	183.0			20	290	CC.13MHMD.658
8.00"	217.4			15	218	CC.13MHMD.800
8.58"	233.5			15	218	CC.13MHMD.858
10.00"	268.0			12	174	CC.13MHMD.1000
10.75"	286.1			12	174	CC.13MHMD.1075
12.00"	319.0			10	145	CC.13MHMD.1200
12.75"	338.0			9	131	CC.13MHMD.1275

Wing-nuts can be replaced with domed hex nuts, please contact our sales team for further information.

Material Grade	ID Surface Finish	Add Code	Product Specifications	
304 / 1.4301 Stainless Steel	Barrel Polished	.4	Certification Available	EN10204 3.1 on request
316 / 1.4401 Stainless Steel	Barrel Polished	.6	Suits Tri-Clamp Standard	Universal, All Standards



Hygienic Union, Tri-Clamp, Universal / All Standards, 13MHP Clamp

Inch Size	Dimensions [mm]			Operating Pressure		Part Code
	FLG OD			bar	psi	
0.50"-0.75"	25.4			75	1088	CC.13MHP.050
DN10/15/20	34.0			75	1088	CC.13MHP.D10
1.00"-1.50"	50.5			75	1088	CC.13MHP.100
2.00"	64.0			75	1088	CC.13MHP.200
2.50"	77.5			75	1088	CC.13MHP.250
3.00"	91.0			60	870	CC.13MHP.300
3.50"	106.0			60	870	CC.13MHP.350
4.00"	119.0			50	725	CC.13MHP.400
4.50"	130.0			45	653	CC.13MHP.450
5.00"	144.4			45	653	CC.13MHP.500
5.50"	155.0			45	653	CC.13MHP.550
6.00"	167.0			45	653	CC.13MHP.600
6.58"	183.0			40	580	CC.13MHP.658
8.00"	217.4			30	435	CC.13MHP.800

Brass hex nuts can be replaced with Stainless Steel A2, please contact our sales team for further information.

Material Grade	ID Surface Finish	Add Code	Product Specifications
304 / 1.4301 Stainless Steel	Barrel Polished		Certification Available EN10204 3.1 on request
			Suits Tri-Clamp Standard Universal, All Standards