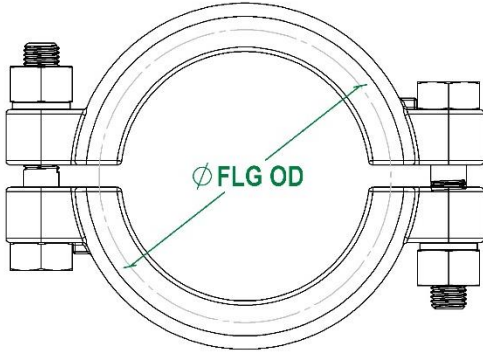


TC Fittings

TC Clamp, 13MHP, High Pressure



Standard: Universal – Covers All TC Ferrule Standards

Material: 304 Stainless Steel, EN1.4301

Certification: EN 10204-3.1

Surface Finish (Ext / Int): Barrel Polished / Barrel Polished

Associated Standard: ASME BPE, BS4825-3, DIN32676

Associated Parts: All TC Connections

Options: Replace Brass Nuts with Stainless Steel Nuts

Remarks: TUV Pressure Rated

TC Fittings, TC Clamp, 13MHP, High Pressure

Size (inch)	FLG OD (mm)				Pressure Rating @ 50°C (bar)	Pressure Rating @ 50°C (psi)	Part Code
0.500"	25.40				50	725	CC.13MHP.0050.4
0.750"	25.40				50	725	CC.13MHP.0075.4
1.000"	50.50				50	725	CC.13MHP.0100.4
1.500"	50.50				50	725	CC.13MHP.0150.4
2.000"	64.00				50	725	CC.13MHP.0200.4
2.500"	77.50				50	725	CC.13MHP.0250.4
3.000"	91.00				40	580	CC.13MHP.0300.4
3.500"	106.00				30	435	CC.13MHP.0350.4
4.000"	119.00				25	363	CC.13MHP.0400.4
4.500"	130.00				25	363	CC.13MHP.0450.4
5.500"	155.00				25	363	CC.13MHP.0550.4
6.000"	167.00				20	290	CC.13MHP.0600.4
6.580"	183.00				20	290	CC.13MHP.0658.4
8.580"	233.50				15	218	CC.13MHP.0858.4

Published Data Is Given in Good Faith. We Reserve the Right To, Without Warning Change the Dimensions When Not In Conflict With The Published Standard

Flowsource Process Fittings

Unit 2F Hockney Road Industrial Estate, West Yorkshire, BD8 9HQ, United Kingdom
 [T] 01535 274 316 - [e] sales@flowsourcepf.com - [w] www.flowsourcepf.com

FLOWSOURCE
PROCESS FITTINGS