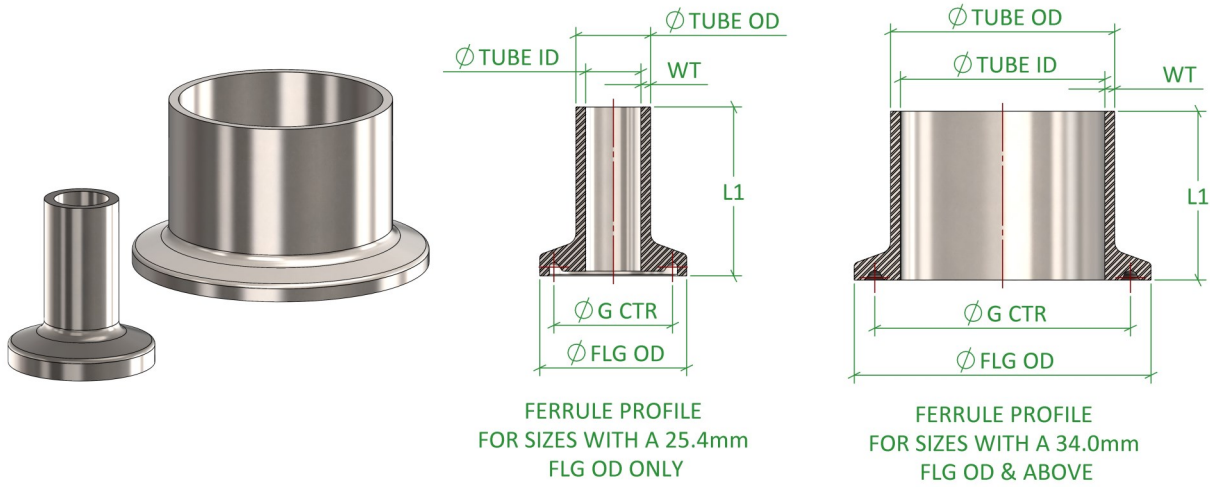


Tri-Clamp Fittings

TC Ferrules, BS6362 NB Schedule 10



| | | | |
|-----------------------|---|-----------------------------|--------------------------------------|
| Standard | BS6362, Nominal Bore Schedule 10 | Certification | EN10204 3.1 |
| Connections | TC Fitting X Weld End | Associated Parts | TC Clamp, TC Gasket, TC Blanks |
| Material | 316L Stainless Steel EN 1.4404 | Associated Standards | ASME B36.19 |
| Surface Finish | 0.8Ra Internal Wetted Surfaces | Options | Non Standard Sizes, Duplex Materials |
| Remarks | TC Ferrules Available Machined From European Billets of 316L Stainless Steel with 3.1b Material Certificates Upon Request | | |

TC Fittings, TC Ferrule, Nominal Bore Schedule 10

| Size (Inch / Nominal Bore) | FLG OD (mm) | TUBE OD (mm) | TUBE ID (mm) | WT (mm) | G CTR (mm) | L1 (mm) | Part Code |
|-------------------------------|----------------|-----------------|-----------------|------------|---------------|------------|----------------|
| 0.500" | 50.50 | 21.34 | 17.12 | 2.11 | 43.50 | 21.50 | CF.\$10.0050.6 |
| 0.750" | 50.50 | 26.67 | 22.45 | 2.11 | 43.50 | 21.50 | CF.\$10.0075.6 |
| 1.000" | 50.50 | 33.40 | 27.86 | 2.77 | 43.50 | 21.50 | CF.\$10.0100.6 |
| 1.250" | 64.00 | 42.16 | 36.62 | 2.77 | 56.50 | 21.50 | CF.\$10.0125.6 |
| 1.500" | 64.00 | 48.26 | 42.72 | 2.77 | 56.50 | 21.50 | CF.\$10.0150.6 |
| 2.000" | 77.50 | 60.32 | 54.78 | 2.77 | 70.50 | 21.50 | CF.\$10.0200.6 |
| 2.500" | 91.00 | 73.02 | 66.92 | 3.05 | 83.50 | 21.50 | CF.\$10.0250.6 |
| 3.000" | 106.00 | 88.90 | 82.80 | 3.05 | 97.00 | 21.50 | CF.\$10.0300.6 |
| 4.000" | 130.00 | 114.30 | 108.20 | 3.05 | 122.00 | 28.00 | CF.\$10.0400.6 |
| 5.000" | 155.00 | 141.30 | 134.50 | 3.40 | 146.00 | 28.00 | CF.\$10.0500.6 |
| 6.000" | 183.00 | 168.27 | 161.47 | 3.40 | 174.00 | 28.00 | CF.\$10.0600.6 |
| 8.000" | 233.50 | 219.07 | 211.55 | 3.76 | 225.00 | 28.00 | CF.\$10.0800.6 |
| 10.000" | 286.10 | 273.05 | 264.67 | 4.19 | 276.00 | 28.00 | CF.\$10.1000.6 |
| 12.000" | 338.00 | 323.85 | 314.71 | 4.57 | 329.00 | 28.00 | CF.\$10.1200.6 |

Published Data Is Given in Good Faith. We Reserve the Right To, Without Warning Change the Dimensions When Not In Conflict With The Published Standard

Flowsource Process Fittings Ltd

Unit 4 Marrtree Business Park, Cedar Road, Sowerby, Thirsk, North Yorkshire, YO7 3FF, United Kingdom
 [T] 01535 274 316 - [e] sales@flowsourcepf.com - [w] www.flowsourcepf.com

FLOWSOURCE
PROCESS FITTINGS