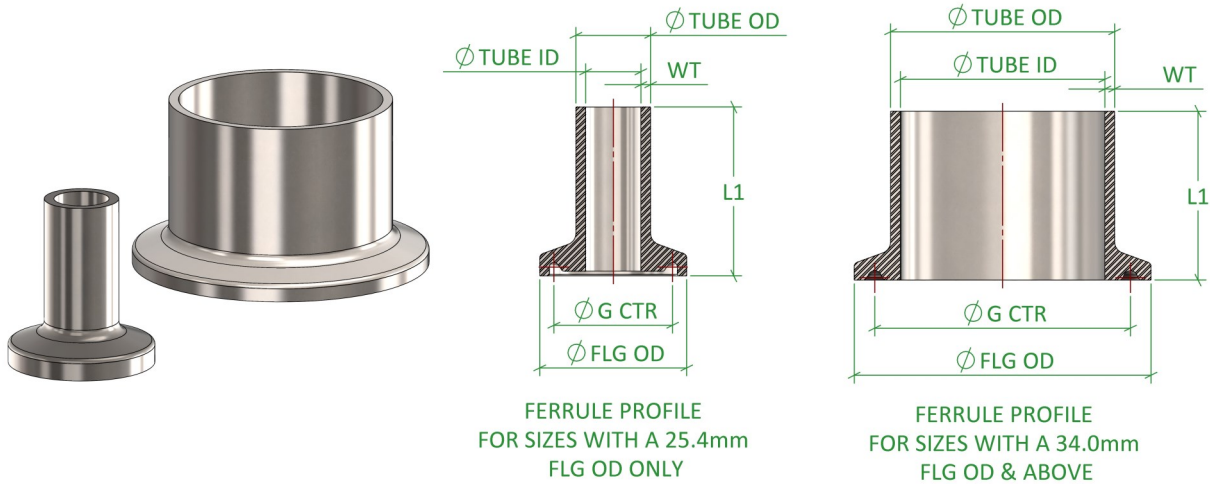


Tri-Clamp Fittings

TC Ferrules, BS6362 NB Schedule 40



Standard	BS6362, Nominal Bore Schedule 40	Certification	EN10204 3.1
Connections	TC Fitting X Weld End	Associated Parts	TC Clamp, TC Gasket, TC Blanks
Material	316L Stainless Steel EN 1.4404	Associated Standards	ASME B36.19
Surface Finish	0.8Ra Internal Wetted Surfaces	Options	Non Standard Sizes, Duplex Materials
Remarks	TC Ferrules Available Machined From European Billets of 316L Stainless Steel with 3.1b Material Certificates Upon Request		

TC Fittings, TC Ferrule, Nominal Bore Schedule 40

Size (Inch / Nominal Bore)	FLG OD (mm)	TUBE OD (mm)	TUBE ID (mm)	WT (mm)	G CTR (mm)	L1 (mm)	Part Code
0.500"	50.50	21.34	15.80	2.77	43.50	21.50	CF.S40.0050.6
0.750"	50.50	26.67	20.93	2.87	43.50	21.50	CF.S40.0075.6
1.000"	50.50	33.40	26.64	3.38	43.50	21.50	CF.S40.0100.6
1.250"	64.00	42.16	35.04	3.56	56.50	21.50	CF.S40.0125.6
1.500"	64.00	48.26	40.90	3.68	56.50	21.50	CF.S40.0150.6
2.000"	77.50	60.32	52.50	3.91	70.50	21.50	CF.S40.0200.6
2.500"	91.00	73.02	62.70	5.16	83.50	21.50	CF.S40.0250.6
3.000"	106.00	88.90	77.92	5.49	97.00	21.50	CF.S40.0300.6
4.000"	130.00	114.30	102.26	6.02	122.00	28.00	CF.S40.0400.6
5.000"	155.00	141.30	128.20	6.55	146.00	28.00	CF.S40.0500.6
6.000"	183.00	168.27	154.05	7.11	174.00	28.00	CF.S40.0600.6
8.000"	233.50	219.07	202.71	8.18	225.00	28.00	CF.S40.0800.6
10.000"	286.10	273.05	254.51	9.27	276.00	28.00	CF.S40.1000.6
12.000"	338.00	323.85	304.79	9.53	329.00	28.00	CF.S40.1200.6

Published Data Is Given in Good Faith. We Reserve the Right To, Without Warning Change the Dimensions When Not In Conflict With The Published Standard

Flowsource Process Fittings Ltd

Unit 4 Marrtree Business Park, Cedar Road, Sowerby, Thirsk, North Yorkshire, YO7 3FF, United Kingdom
 [T] 01535 274 316 - [e] sales@flowsourcepf.com - [w] www.flowsourcepf.com

FLWSOURCE
PROCESS FITTINGS