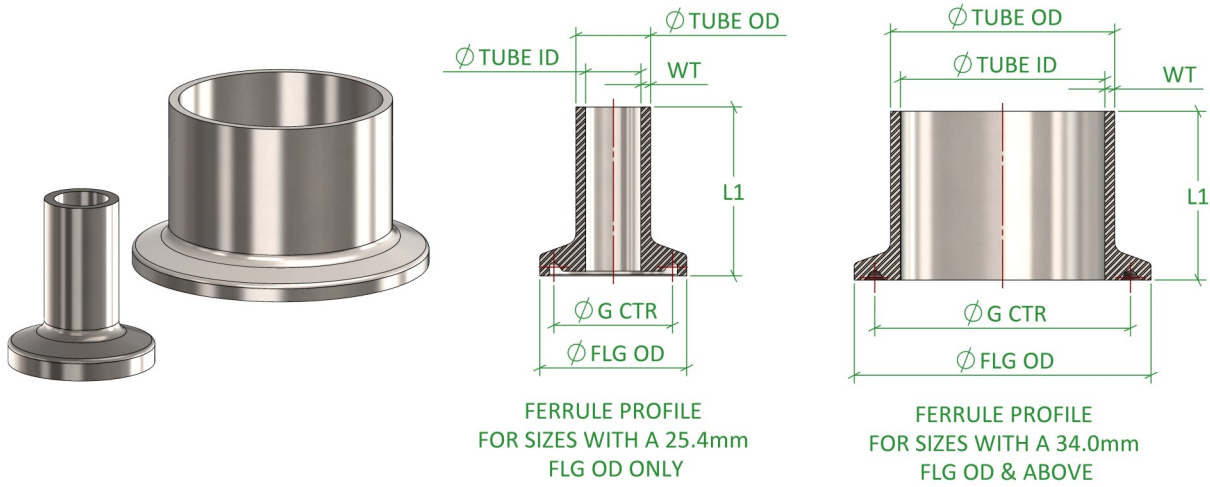


# Tri-Clamp Fittings

## TC Ferrules, DIN32676-A, Metric



<b>Standard</b>	DIN32676-A, Metric Version	<b>Certification</b>	EN10204 3.1
<b>Connections</b>	TC Fitting X Weld End	<b>Associated Parts</b>	TC Clamp, TC Gasket, TC Blanks
<b>Material</b>	316L Stainless Steel EN 1.4404	<b>Associated Standards</b>	DIN11865-A, DIN11866-A, DIN11850, DIN11852
<b>Surface Finish</b>	0.8Ra Internal Wetted Surfaces	<b>Options</b>	Non Standard Sizes, Duplex Materials
<b>Remarks</b>	TC Ferrules Available Machined From European Billets of 316L Stainless Steel with 3.1b Material Certificates Upon Request		

### TC Fittings, TC Ferrule, DIN32676-A, Metric

Size (DN)	FLG OD (mm)	TUBE OD (mm)	TUBE ID (mm)	WT (mm)	G CTR (mm)	L1 (mm)	Part Code
DN6	25.40	8.00	6.00	1.00	20.30	21.50	CF.DNA.D006.6
DN8	25.40	10.00	8.00	1.00	20.30	21.50	CF.DNA.D008.6
DN10	34.00	13.00	10.00	1.50	27.50	21.50	CF.DNA.D010.6
DN15	34.00	19.00	16.00	1.50	27.50	21.50	CF.DNA.D015.6
DN20	34.00	23.00	20.00	1.50	27.50	21.50	CF.DNA.D020.6
DN25	50.50	29.00	26.00	1.50	43.50	21.50	CF.DNA.D025.6
DN32	50.50	35.00	32.00	1.50	43.50	21.50	CF.DNA.D032.6
DN40	50.50	41.00	38.00	1.50	43.50	21.50	CF.DNA.D040.6
DN50	64.00	53.00	50.00	1.50	56.50	21.50	CF.DNA.D050.6
DN65	91.00	70.00	66.00	2.00	83.50	28.00	CF.DNA.D065.6
DN80	106.00	85.00	81.00	2.00	97.00	28.00	CF.DNA.D080.6
DN100	119.00	104.00	100.00	2.00	110.00	28.00	CF.DNA.D100.6
DN125	155.00	129.00	125.00	2.00	146.00	28.00	CF.DNA.D125.6
DN150	183.00	154.00	150.00	2.00	174.00	28.00	CF.DNA.D150.6
DN200	233.50	204.00	200.00	2.00	225.00	28.00	CF.DNA.D200.6

Published Data Is Given in Good Faith. We Reserve the Right To, Without Warning Change the Dimensions When Not In Conflict With The Published Standard

**Flowsource Process Fittings Ltd**

Unit 4 Marrtree Business Park, Cedar Road, Sowerby, Thirsk, North Yorkshire, YO7 3FF, United Kingdom  
 [T] 01535 274 316 - [e] sales@flowsourcepf.com - [w] www.flowsourcepf.com

**FLOWSOURCE**  
**PROCESS FITTINGS**