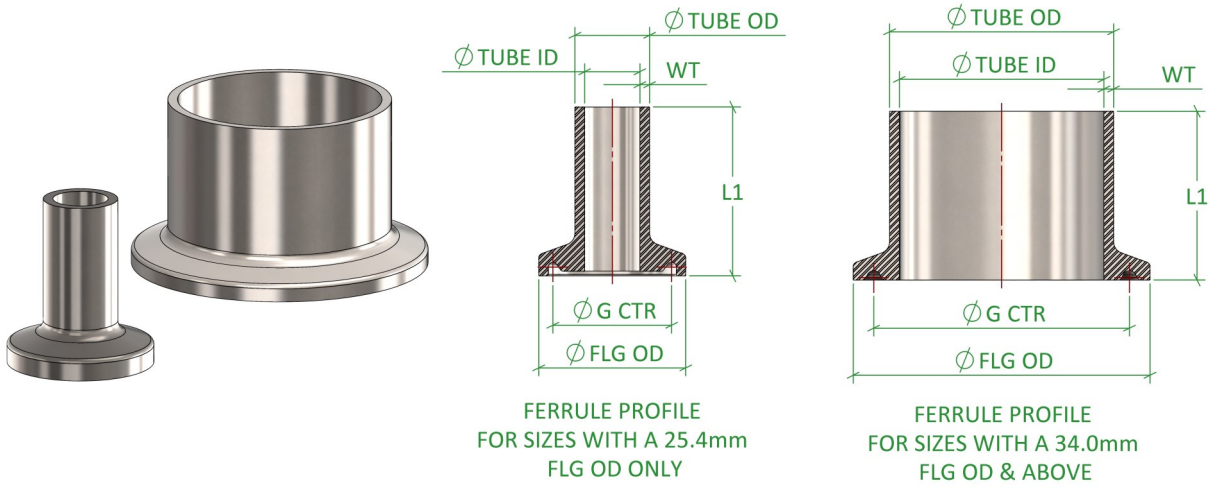


# Tri-Clamp Fittings

## TC Ferrules, DIN32676-B, ISO



<b>Standard</b>	DIN32676-B, ISO Version	<b>Certification</b>	EN10204 3.1
<b>Connections</b>	TC Fitting X Weld End	<b>Associated Parts</b>	TC Clamp, TC Gasket, TC Blanks
<b>Material</b>	316L Stainless Steel EN 1.4404	<b>Associated Standards</b>	DIN11865-B, DIN11866-B, ISO1127
<b>Surface Finish</b>	0.8Ra Internal Wetted Surfaces	<b>Options</b>	Non Standard Sizes, Duplex Materials
<b>Remarks</b>	TC Ferrules Available Machined From European Billets of 316L Stainless Steel with 3.1b Material Certificates Upon Request		

### TC Fittings, TC Ferrule, DIN32676-B, ISO

Size (NW)	FLG OD (mm)	TUBE OD (mm)	TUBE ID (mm)	WT (mm)	G CTR (mm)	L1 (mm)	Part Code
NW6	25.40	10.20	7.00	1.60	20.30	21.50	CF.DNB.D006.6
NW8	25.40	13.50	10.30	1.60	20.30	21.50	CF.DNB.D008.6
NW10	25.40	17.20	14.00	1.60	20.30	21.50	CF.DNB.D010.6
NW15	34.00	21.30	18.10	1.60	27.50	21.50	CF.DNB.D015.6
NW20	50.50	26.90	23.70	1.60	43.50	21.50	CF.DNB.D020.6
NW25	50.50	33.70	29.70	2.00	43.50	21.50	CF.DNB.D025.6
NW32	64.00	42.40	38.40	2.00	56.50	21.50	CF.DNB.D032.6
NW40	64.00	48.30	44.30	2.00	56.50	21.50	CF.DNB.D040.6
NW50	77.50	60.30	56.30	2.00	70.50	21.50	CF.DNB.D050.6
NW65	91.00	76.10	72.90	1.60	83.50	21.50	CF.DNB.D065.6
NW80	106.00	88.90	84.30	2.30	97.00	21.50	CF.DNB.D080.6
NW100	130.00	114.30	109.70	2.30	122.00	28.00	CF.DNB.D100.6
NW125	155.00	139.70	134.50	2.60	146.00	28.00	CF.DNB.D125.6
NW150	183.00	168.30	163.10	2.60	174.00	28.00	CF.DNB.D150.6
NW200	233.50	219.10	213.90	2.60	225.00	28.00	CF.DNB.D200.6

Published Data Is Given in Good Faith. We Reserve the Right To, Without Warning Change the Dimensions When Not In Conflict With The Published Standard

**Flowsource Process Fittings Ltd**

Unit 4 Marrtree Business Park, Cedar Road, Sowerby, Thirsk, North Yorkshire, YO7 3FF, United Kingdom  
 [T] 01535 274 316 - [e] sales@flowsourcepf.com - [w] www.flowsourcepf.com

**FLWSOURCE**  
**PROCESS FITTINGS**