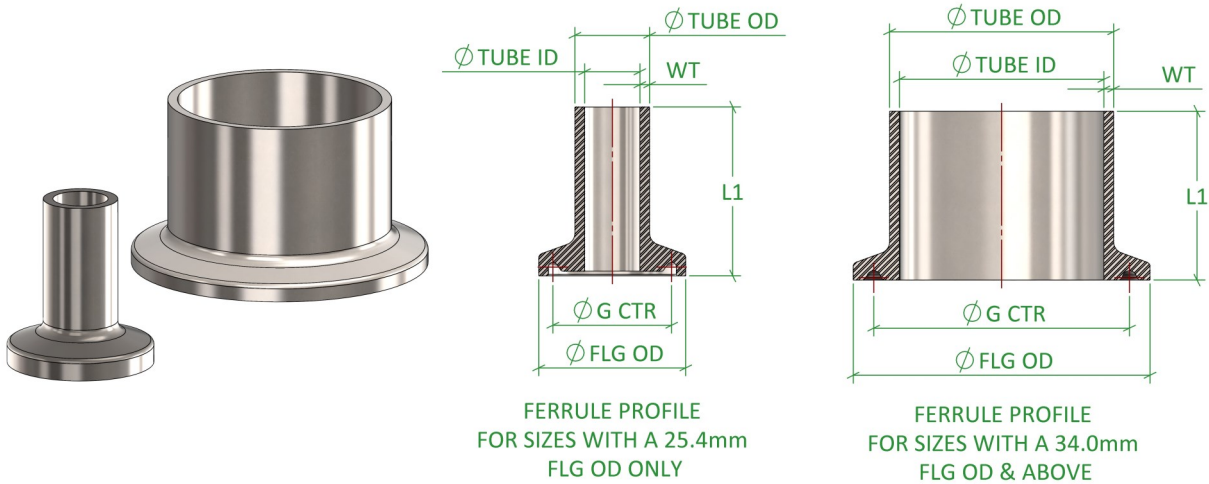


# Tri-Clamp Fittings

## TC Ferrules, DIN32676-C, Imperial



<b>Standard</b>	DIN32676-C, Imperial Version	<b>Certification</b>	EN10204 3.1
<b>Connections</b>	TC Fitting X Weld End	<b>Associated Parts</b>	TC Clamp, TC Gasket, TC Blanks
<b>Material</b>	316L Stainless Steel EN 1.4404	<b>Associated Standards</b>	DIN11865-c. DIN11866-C, ASME BPE, BS4825-3
<b>Surface Finish</b>	0.8Ra Internal Wetted Surfaces	<b>Options</b>	Non Standard Sizes, Duplex Materials
<b>Remarks</b>	TC Ferrules Available Machined From European Billets of 316L Stainless Steel with 3.1b Material Certificates Upon Request		

### TC Fittings, TC Ferrule, DIN32676-C, Imperial

Size (inch)	FLG OD (mm)	TUBE OD (mm)	TUBE ID (mm)	WT (mm)	G CTR (mm)	L1 (mm)	Part Code
0.250"	25.40	6.35	4.57	0.89	20.30	21.50	CF.DNC.0025.6
0.380"	25.40	9.53	7.75	0.89	20.30	21.50	CF.DNC.0038.6
0.500"	25.40	12.70	9.40	1.65	20.30	21.50	CF.DNC.0050.6
0.750"	25.40	19.05	15.75	1.65	20.30	21.50	CF.DNC.0075.6
1.000"	50.50	25.40	22.10	1.65	43.50	21.50	CF.DNC.0100.6
1.500"	50.50	38.10	34.80	1.65	43.50	21.50	CF.DNC.0150.6
2.000"	64.00	50.80	47.50	1.65	56.50	21.50	CF.DNC.0200.6
2.500"	77.50	63.50	60.20	1.65	70.50	21.50	CF.DNC.0250.6
3.000"	91.00	76.20	72.90	1.65	83.50	21.50	CF.DNC.0300.6
4.000"	119.00	101.60	97.40	2.10	110.00	21.50	CF.DNC.0400.6
6.000"	167.00	152.40	146.86	2.77	156.50	28.50	CF.DNC.0600.6

Published Data Is Given in Good Faith. We Reserve the Right To, Without Warning Change the Dimensions When Not In Conflict With The Published Standard

**Flowsource Process Fittings Ltd**

Unit 4 Marrtree Business Park, Cedar Road, Sowerby, Thirsk, North Yorkshire, YO7 3FF, United Kingdom  
 [T] 01535 274 316 - [e] sales@flowsourcepf.com - [w] www.flowsourcepf.com

**FLOWSOURCE**  
**PROCESS FITTINGS**