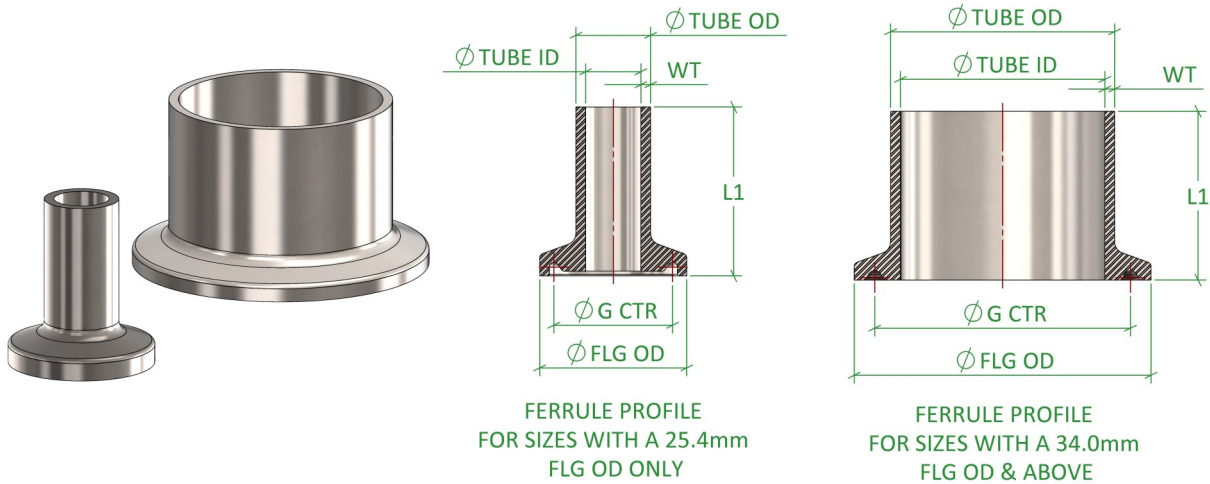


# Tri-Clamp Fittings

## TC Ferrules, ISO1127



|                       |   |                             |                                      |
|-----------------------|---|-----------------------------|--------------------------------------|
| <b>Standard</b>       | ISO1127   | <b>Certification</b>        | EN10204 3.1                          |
| <b>Connections</b>    | TC Fitting X Weld End   | <b>Associated Parts</b>     | TC Clamp, TC Gasket, TC Blanks       |
| <b>Material</b>       | 316L Stainless Steel EN 1.4404  | <b>Associated Standards</b> | ISO1127 , DIN11865-B. DIN11866-B     |
| <b>Surface Finish</b> | 0.8Ra Internal Wetted Surfaces  | <b>Options</b>              | Non Standard Sizes, Duplex Materials |
| <b>Remarks</b>        | TC Ferrules Available Machined From European Billets of 316L Stainless Steel with 3.1b Material Certificates Upon Request |                             |                                      |

### TC Fittings, TC Ferrule, ISO1127-1

| Size (NW) | FLG OD (mm) | TUBE OD (mm) | TUBE ID (mm) | WT (mm) | G CTR (mm) | L1 (mm) | Part Code    |
|-----------|-------------|--------------|--------------|---------|------------|---------|--------------|
| NW6       | 25.40       | 10.20        | 7.00         | 1.60    | 20.30      | 18.00   | CF.IS1.006.6 |
| NW8       | 25.40       | 13.50        | 10.20        | 1.65    | 20.30      | 18.00   | CF.IS1.008.6 |
| NW10      | 25.40       | 17.20        | 14.00        | 1.60    | 20.30      | 18.00   | CF.IS1.010.6 |
| NW15      | 34.00       | 21.30        | 18.10        | 1.60    | 27.50      | 18.00   | CF.IS1.015.6 |
| NW20      | 50.50       | 26.90        | 22.90        | 2.00    | 43.50      | 21.50   | CF.IS1.020.6 |
| NW25      | 50.50       | 33.70        | 29.70        | 2.00    | 43.50      | 21.50   | CF.IS1.025.6 |
| NW32      | 64.00       | 42.40        | 38.40        | 2.00    | 56.50      | 21.50   | CF.IS1.032.6 |
| NW40      | 64.00       | 48.30        | 44.30        | 2.00    | 56.50      | 21.50   | CF.IS1.040.6 |
| NW50      | 77.50       | 60.30        | 56.30        | 2.00    | 70.50      | 21.50   | CF.IS1.050.6 |
| NW65      | 91.00       | 76.10        | 72.10        | 2.00    | 83.50      | 21.50   | CF.IS1.065.6 |
| NW80      | 106.00      | 88.90        | 84.90        | 2.00    | 97.00      | 21.50   | CF.IS1.080.6 |
| NW100     | 130.00      | 114.30       | 110.30       | 2.00    | 122.00     | 28.00   | CF.IS1.100.6 |
| NW125     | 155.00      | 139.70       | 135.70       | 2.00    | 146.00     | 28.00   | CF.IS1.125.6 |
| NW150     | 183.00      | 168.30       | 163.10       | 2.60    | 174.00     | 28.00   | CF.IS1.150.6 |
| NW200     | 233.50      | 219.10       | 213.90       | 2.60    | 225.00     | 28.00   | CF.IS1.200.6 |

Published Data Is Given in Good Faith. We Reserve the Right To, Without Warning Change the Dimensions When Not In Conflict With The Published Standard

**Flowsource Process Fittings Ltd**

Unit 4 Marrtree Business Park, Cedar Road, Sowerby, Thirsk, North Yorkshire, YO7 3FF, United Kingdom  
 [T] 01535 274 316 - [e] sales@flowsourcepf.com - [w] www.flowsourcepf.com

**FLOWSOURCE**  
**PROCESS FITTINGS**