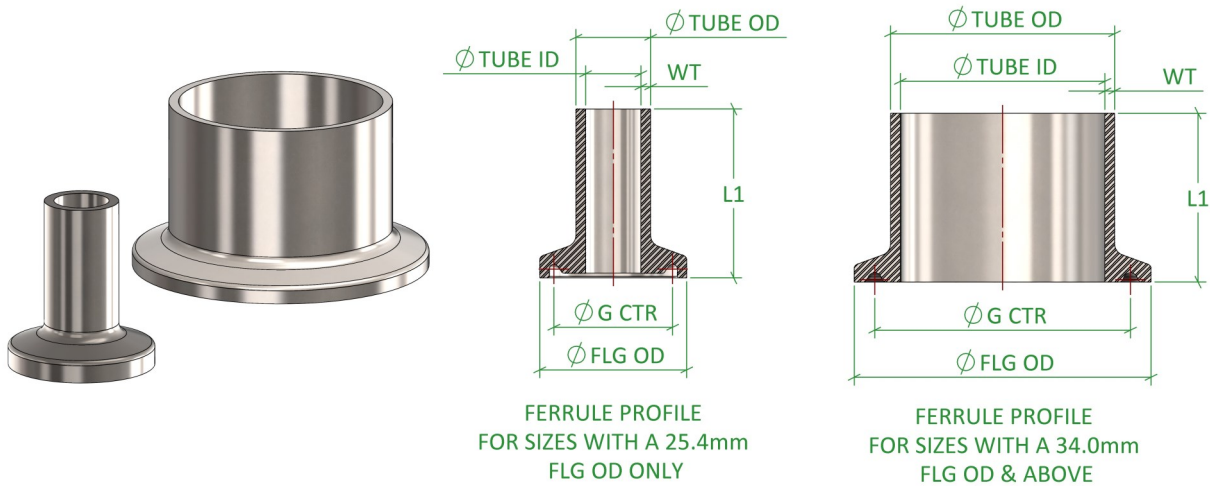


# ASME BPE Fittings

## DT-4.1.4-1B (DT22B) TC Ferrules, Standard Length



<b>Standard</b>	ASME BPE 2016	<b>Certification</b>	EN10204 3.1
<b>Connections</b>	TC Fitting X Weld End	<b>Associated Parts</b>	DT1 Tube, All DT Tubular Fittings
<b>Material</b>	316L Stainless Steel EN 1.4404	<b>Associated Standards</b>	ASME BPE 2009 & 2012
<b>Surface Finish</b>	SF1-0.51Ra µm Max	<b>Options</b>	SF4-0.38Ra µm Max E/Polished On Request
<b>Remarks</b>	DT22A Long Length & DT22C Short Length Also Available		

### ASME BPE Fittings, DT-4.1.4-1B (DT22B), TC Ferrule, Standard Length

Size (inch)	FLG OD (mm)	TUBE OD (mm)	TUBE ID (mm)	WT (mm)	G CTR (mm)	L1 (mm)	Part Code
0.500"	25.40	12.70	9.40	1.65	20.30	28.58	BPE.DT22B.0050.SF1
0.750"	25.40	19.05	15.75	1.65	20.30	28.58	BPE.DT22B.0075.SF1
1.000"	50.50	25.40	22.10	1.65	43.64	28.58	BPE.DT22B.0100.SF1
1.500"	50.50	38.10	34.80	1.65	43.64	28.58	BPE.DT22B.0150.SF1
2.000"	64.00	50.80	47.50	1.65	56.34	28.58	BPE.DT22B.0200.SF1
2.500"	77.50	63.50	60.20	1.65	70.64	28.58	BPE.DT22B.0250.SF1
3.000"	91.00	76.20	72.90	1.65	83.34	28.58	BPE.DT22B.0300.SF1
4.000"	119.00	101.60	97.38	2.11	110.34	28.58	BPE.DT22B.0400.SF1
6.000"	167.00	152.40	146.86	2.77	156.87	38.1	BPE.DT22B.0600.SF1

Published Data Is Given in Good Faith. We Reserve the Right To, Without Warning Change the Dimensions When Not In Conflict With The Published Standard

Flowsource Process Fittings Ltd

Unit 4 Marrtree Business Park, Cedar Road, Sowerby, Thirsk, North Yorkshire, YO7 3FF, United Kingdom  
 [T] 01535 274 316 - [e] sales@flowsourcepf.com - [w] www.flowsourcepf.com

**FLWSOURCE**  
**PROCESS FITTINGS**