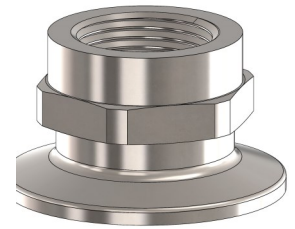
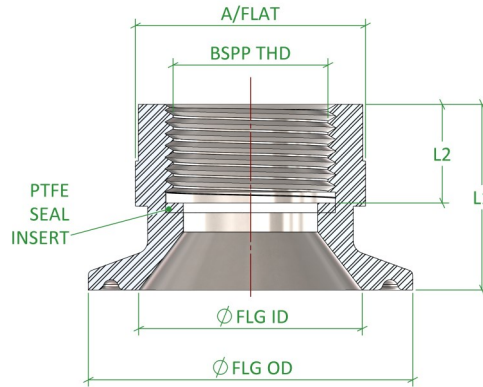
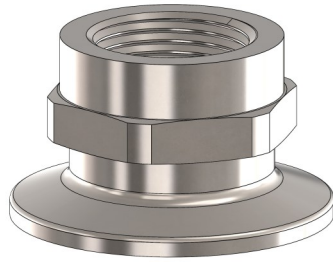


Adapters

TC Ferrule X BSPP Female



Standard	BS4825-3, Flowsource PF	Certification	EN10204 3.1
Connections	TC Fitting BS4825-3 X BSPP Female	Associated Parts	TC Ferrule X BSP Male, TC Clamp, TC Gasket
Material	316L Stainless Steel EN 1.4404 / Teflon Insert	Associated Standards	ASME BPE 2019, DIN32676-C
Surface Finish	0.8Ra Internal Wetted Surfaces	Options	Non Standard Sizes, Duplex Materials

Adapters, TC Ferrule X BSP Female

Size (inch) TC Ferrule X BSP Female	FLG OD (mm)	FLG ID (mm)	THD ID (G Inch)	A Flat (mm)	L1 (mm)	L2 (mm)	Part Ordering Code
0.50" X 0.13"	25.40	9.40	1/8"	18.80	22.10	9.10	A.CFBF.050.013
0.50" X 0.25"	25.40	9.40	1/4"	21.80	23.10	10.10	A.CFBF.050.025
0.50" X 0.38"	25.40	9.40	3/8"	26.80	25.50	11.10	A.CFBF.050.038
0.50" X 0.50"	25.40	9.40	1/2"	29.80	27.90	14.10	A.CFBF.050.050
0.75" X 0.13"	25.40	15.75	1/8"	18.80	22.10	9.10	A.CFBF.075.013
0.75" X 0.25"	25.40	15.75	1/4"	21.80	23.10	10.10	A.CFBF.075.025
0.75" X 0.38"	25.40	15.75	3/8"	26.80	24.10	11.10	A.CFBF.075.038
0.75" X 0.50"	25.40	15.75	1/2"	29.80	27.90	14.10	A.CFBF.075.050
0.75" X 0.75"	25.40	15.75	3/4"	35.80	28.80	15.80	A.CFBF.075.075
1.00" X 0.13"	50.50	22.10	1/8"	18.80	22.10	9.10	A.CFBF.100.013
1.00" X 0.25"	50.50	22.10	1/4"	21.80	23.10	10.10	A.CFBF.100.025
1.00" X 0.38"	50.50	22.10	3/8"	26.80	24.10	11.10	A.CFBF.100.038
1.00" X 0.50"	50.50	22.10	1/2"	29.80	27.90	14.10	A.CFBF.100.050
1.00" X 0.75"	50.50	22.10	3/4"	35.80	28.80	15.80	A.CFBF.100.075
1.00" X 1.00"	50.50	22.10	1"	45.60	31.10	18.10	A.CFBF.100.100
1.50" X 0.13"	50.50	34.80	1/8"	18.80	22.10	9.10	A.CFBF.150.013
1.50" X 0.25"	50.50	34.80	1/4"	21.80	23.10	10.10	A.CFBF.150.025
1.50" X 0.38"	50.50	34.80	3/8"	26.80	24.10	11.10	A.CFBF.150.038
1.50" X 0.50"	50.50	34.80	1/2"	29.80	27.90	14.10	A.CFBF.150.050
1.50" X 0.75"	50.50	34.80	3/4"	35.80	28.80	15.80	A.CFBF.150.075
1.50" X 1.00"	50.50	34.80	1"	45.60	31.10	18.10	A.CFBF.150.100
1.50" X 1.25"	50.50	34.80	1 1/4"	53.80	36.10	19.10	A.CFBF.150.125
1.50" X 1.50"	50.50	34.80	1 1/2"	59.80	40.80	58.60	A.CFBF.150.150
2.00" X 0.50"	64.00	47.50	1/2"	29.80	27.90	14.10	A.CFBF.200.050
2.00" X 0.75"	64.00	47.50	3/4"	35.80	28.80	15.80	A.CFBF.200.075
2.00" X 1.00"	64.00	47.50	1"	45.60	31.10	18.10	A.CFBF.200.100
2.00" X 1.25"	64.00	47.50	1 1/4"	53.80	36.10	19.10	A.CFBF.200.125
2.00" X 1.50"	64.00	47.50	1 1/2"	59.80	39.10	21.10	A.CFBF.200.150
2.00" X 2.00"	64.00	47.50	2"	73.80	43.40	73.00	A.CFBF.200.200
2.50" X 1.00"	77.50	60.20	1"	45.60	31.10	18.10	A.CFBF.250.100
2.50" X 1.25"	77.50	60.20	1 1/4"	53.80	36.10	19.10	A.CFBF.250.125
2.00" X 1.50"	77.50	60.20	1 1/2"	59.80	39.10	21.10	A.CFBF.250.150
2.50" X 2.00"	77.50	60.20	2"	73.80	42.10	23.10	A.CFBF.250.200
2.50" X 2.50"	77.50	60.20	2 1/2"	90.80	48.00	29.00	A.CFBF.250.250
3.00" X 1.00"	91.00	72.90	1"	45.60	31.10	18.10	A.CFBF.300.100
3.00" X 1.25"	91.00	72.90	1 1/4"	53.80	36.10	19.10	A.CFBF.300.125
3.00" X 1.50"	91.00	72.90	1 1/2"	59.80	39.10	21.10	A.CFBF.300.150
3.00" X 2.00"	91.00	72.90	2"	73.80	42.10	23.10	A.CFBF.300.200
3.00" X 2.50"	91.00	72.90	2 1/2"	90.80	48.00	29.00	A.CFBF.300.250
3.00" X 3.00"	91.00	72.90	3"	107.90	51.00	32.00	A.CFBF.300.300

Published Data Is Given in Good Faith. We Reserve the Right To, Without Warning Change the Dimensions When Not In Conflict With The Published Standard

Flowsource Process Fittings Ltd

Unit 4 Marrtree Business Park, Cedar Road, Sowerby, Thirsk, North Yorkshire, YO7 3FF, United Kingdom
 [T] 01535 274 316 - [e] sales@flowsourcepf.com - [w] www.flowsourcepf.com

FLOWSOURCE
PROCESS FITTINGS