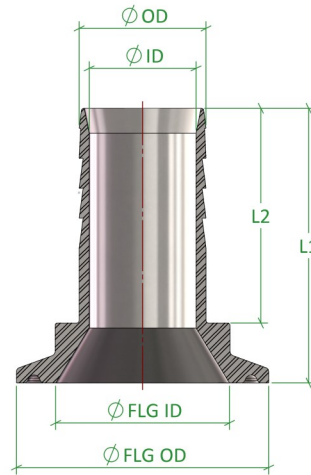
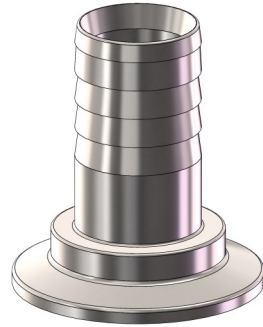
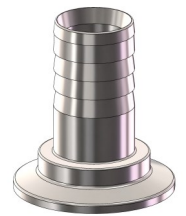


Adapters

TC Ferrule X Hosetail



Standard	BS4825-3, Flowsorce PF	Certification	EN10204 3.1
Connections	TC Fitting BS4825-3 X Serrated Hosetail	Associated Parts	TC Clamp, TC Gasket, TC Blanks
Material	316L Stainless Steel EN 1.4404	Associated Standards	ASME BPE 2019, DIN32676-C
Surface Finish	0.8Ra Internal Wetted Surfaces	Options	Non Standard Sizes, Duplex Materials

Adapters, TC Ferrule X Hosetail

Size (inch) TC Ferrule X Hosetail	FLG OD (mm)	FLG ID (mm)	OD (mm)	ID (mm)	L1 (mm)	L2 (mm)	Part Ordering Code
0.50" X 0.13"	25.40	9.40	3.18	1.50	37.00	25.00	A.CFHT.050.013
0.50" X 0.25"	25.40	9.40	6.35	3.35	37.00	25.00	A.CFHT.050.025
0.50" X 0.38"	25.40	9.40	9.53	6.53	37.00	25.00	A.CFHT.050.038
0.50" X 0.50"	25.40	9.40	12.70	9.70	50.00	38.00	A.CFHT.050.050
0.75" X 0.13"	25.40	15.75	3.18	1.50	37.00	25.00	A.CFHT.075.013
0.75" X 0.25"	25.40	15.75	6.35	3.35	37.00	25.00	A.CFHT.075.025
0.75" X 0.38"	25.40	15.75	9.53	6.53	37.00	25.00	A.CFHT.075.038
0.75" X 0.50"	25.40	15.75	12.70	9.70	50.00	38.00	A.CFHT.075.050
0.75" X 0.75"	25.40	15.75	19.05	16.05	50.00	38.00	A.CFHT.075.075
1.00" X 0.13"	50.50	22.10	3.18	1.50	37.00	25.00	A.CFHT.100.013
1.00" X 0.25"	50.50	22.10	6.35	3.35	37.00	25.00	A.CFHT.100.025
1.00" X 0.38"	50.50	22.10	9.53	6.53	37.00	25.00	A.CFHT.100.038
1.00" X 0.50"	50.50	22.10	12.70	9.70	50.00	38.00	A.CFHT.100.050
1.00" X 0.75"	50.50	22.10	19.05	16.05	50.00	38.00	A.CFHT.100.075
1.00" X 1.00"	50.50	22.10	25.40	22.40	55.00	43.00	A.CFHT.100.100
1.50" X 0.13"	50.50	34.80	3.18	1.50	37.00	25.00	A.CFHT.150.013
1.50" X 0.25"	50.50	34.80	6.35	3.35	37.00	25.00	A.CFHT.150.025
1.50" X 0.38"	50.50	34.80	9.53	6.53	37.00	25.00	A.CFHT.150.038
1.50" X 0.50"	50.50	34.80	12.70	9.70	50.00	38.00	A.CFHT.150.050
1.50" X 0.75"	50.50	34.80	19.05	16.05	50.00	38.00	A.CFHT.150.075
1.50" X 1.00"	50.50	34.80	25.40	22.40	55.00	43.00	A.CFHT.150.100
1.50" X 1.25"	50.50	34.80	31.75	28.75	55.00	43.00	A.CFHT.150.125
1.50" X 1.50"	50.50	34.80	38.10	34.80	60.00	48.00	A.CFHT.150.150
2.00" X 0.50"	64.00	47.50	12.70	9.70	50.00	38.00	A.CFHT.200.050
2.00" X 0.75"	64.00	47.50	19.05	16.05	50.00	38.00	A.CFHT.200.075
2.00" X 1.00"	64.00	47.50	25.40	22.40	55.00	43.00	A.CFHT.200.100
2.00" X 1.25"	64.00	47.50	31.75	28.75	55.00	43.00	A.CFHT.200.125
2.00" X 1.50"	64.00	47.50	38.10	34.80	55.00	48.00	A.CFHT.200.150
2.00" X 2.00"	64.00	47.50	50.80	47.50	65.00	53.00	A.CFHT.200.200
2.50" X 1.00"	77.50	60.20	25.40	22.40	55.00	43.00	A.CFHT.250.100
2.50" X 1.50"	77.50	60.20	38.10	34.80	60.00	48.00	A.CFHT.250.150
2.50" X 2.00"	77.50	60.20	50.80	47.50	65.00	53.00	A.CFHT.250.200
2.50" X 2.50"	77.50	60.20	63.50	60.50	70.00	58.00	A.CFHT.250.250
3.00" X 1.50"	91.00	72.90	38.10	34.80	70.00	48.00	A.CFHT.300.150
3.00" X 2.00"	91.00	72.90	50.80	47.50	70.00	53.00	A.CFHT.300.200
3.00" X 2.50"	91.00	72.90	63.50	60.50	70.00	58.00	A.CFHT.300.250
3.00" X 3.00"	91.00	72.90	76.20	73.20	72.00	58.00	A.CFHT.300.300

Published Data Is Given in Good Faith. We Reserve the Right To, Without Warning Change the Dimensions When Not In Conflict With The Published Standard

Flowsorce Process Fittings Ltd

Unit 4 Marrtree Business Park, Cedar Road, Sowerby, Thirsk, North Yorkshire, YO7 3FF, United Kingdom
 [T] 01535 274 316 - [e] sales@flowsorcepf.com - [w] www.flowsorcepf.com

FLOWSORCE
PROCESS FITTINGS