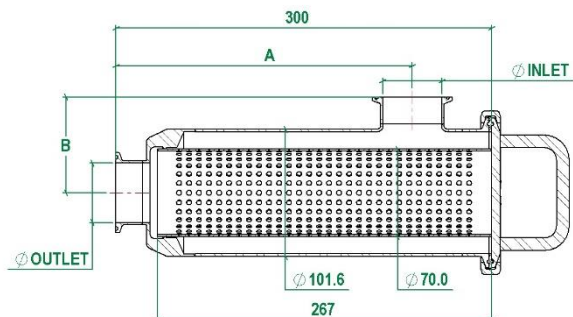


# Filter / Strainer

## 90° Type Body, TC Connections, Full Assembly

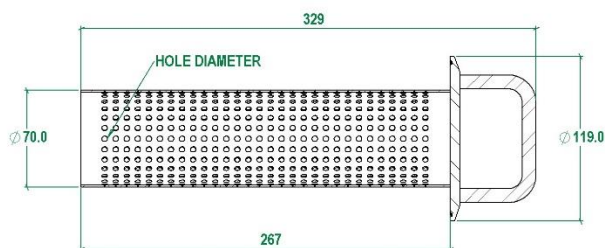


- Standard:** Imperial OD
- Material:** 316 Stainless Steel, EN1.4401, Wetted Parts
- Certification:** EN 10204-3.1
- Surface Finish (Internal):** 0.8Ra Average, Welds Pickled & Brushed
- Associated Standard:** Fittings Standard BS4825-3, ASME BPE
- Associated Parts:** Inline Type, Filter Element
- Options:** Also Available RJT, BSP or Plain Ended on Request
- Remarks:** Pump Protection / Coarse Filtration

### Filter / Strainer, 90° Type, TC Connections, Body Only

TC Connection Size (inch)	Inlet ID (mm)	Outlet ID (mm)	A (mm)	B (mm)	Part Code
1.500"	34.8	34.8	237.0	76.0	FIL.90.TC.150
2.000"	47.5	47.5	237.0	76.0	FIL.90.TC.200
2.500"	60.2	60.2	227.0	76.0	FIL.90.TC.250
3.000"	72.9	72.9	217.0	76.0	FIL.90.TC.300

\*Clamp & EPDM Seal are supplied with Body as standard.



### Filter / Strainer, Perforated Element Only

Hole Diameter mm (micron)	Filtration Area (mm <sup>2</sup> )	Open Area (%)	Max Inlet Pressure (bar)	Max Delta P (bar)	Part Code
2.0 (2000u)	53,900	8.7	16.0	4.0	FIL.ELE.2000
3.0 (3000u)	53,900	11.0	16.0	4.0	FIL.ELE.3000
4.0 (4000u)	53,900	19.5	16.0	4.0	FIL.ELE.4000
6.0 (6000u)	53,900	19.5	16.0	4.0	FIL.ELE.6000
8.0 (8000u)	53,900	27.8	16.0	4.0	FIL.ELE.8000

Published Data Is Given in Good Faith. We Reserve the Right To, Without Warning Change the Dimensions When Not In Conflict With The Published Standard