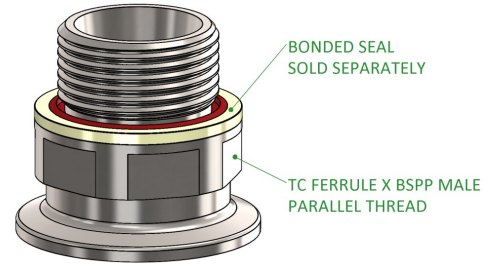
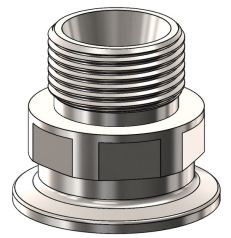
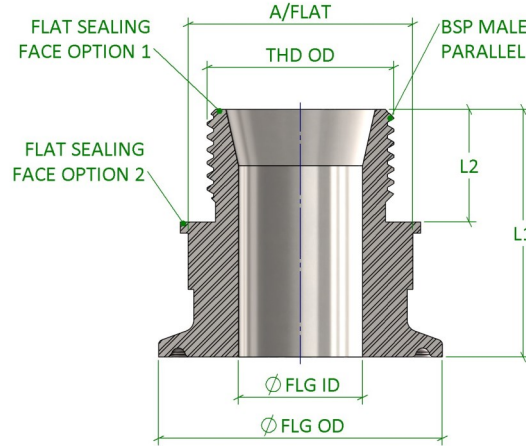
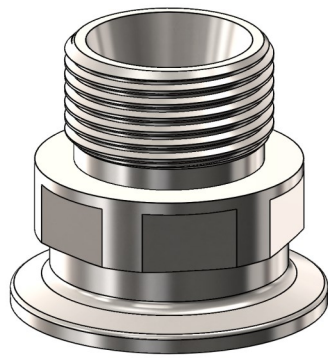


# Adapters

## TC Ferrule X BSPP (Parallel) Male



<b>Standard</b>	BS4825-3, Flowsource PF	<b>Certification</b>	EN10204 3.1
<b>Connections</b>	TC Fitting BS4825-3 X BSPP (Parallel) Male	<b>Associated Parts</b>	TC Ferrule X BSP Female, TC Ferrule X BSPT Male
<b>Material</b>	316L Stainless Steel EN 1.4404	<b>Associated Standards</b>	ASME BPE 2019, DIN32676-C
<b>Surface Finish</b>	0.8Ra Internal Wetted Surfaces	<b>Options</b>	Bonded Seal (Sold Separately) St.St / EPDM

### Adapters, TC Ferrule X BSPP (Parallel) Male

Size (inch) TC Ferrule X BSPP Male	FLG OD (mm)	FLG ID (mm)	THD OD (mm)	A FLAT (mm)	L1 (mm)	L2 (mm)	Part Ordering Code
0.50" X 0.25"	25.4	9.4	13.2	19.0	36.0	12.0	A.CFBMP.0050.0025.6
0.50" X 0.38"	25.4	9.4	16.7	21.8	37.0	13.0	A.CFBMP.0050.0038.6
0.50" X 0.50"	25.4	9.4	21.0	26.8	40.0	16.0	A.CFBMP.0050.0050.6
0.75" X 0.25"	25.4	15.8	13.2	19.0	36.0	12.0	A.CFBMP.0075.0025.6
0.75" X 0.38"	25.4	15.8	16.7	21.8	37.0	13.0	A.CFBMP.0075.0038.6
0.75" X 0.50"	25.4	15.8	21.0	26.8	40.0	16.0	A.CFBMP.0075.0050.6
0.75" X 0.75"	25.4	15.8	26.4	31.8	42.0	18.0	A.CFBMP.0075.0075.6
1.00" X 0.25"	50.5	22.1	13.2	19.0	36.0	12.0	A.CFBMP.0100.0025.6
1.00" X 0.38"	50.5	22.1	16.7	21.8	37.0	13.0	A.CFBMP.0100.0038.6
1.00" X 0.50"	50.5	22.1	21.0	26.8	40.0	16.0	A.CFBMP.0100.0050.6
1.00" X 0.75"	50.5	22.1	26.4	31.8	42.0	18.0	A.CFBMP.0100.0075.6
1.00" X 1.00"	50.5	22.1	33.3	40.0	44.0	20.0	A.CFBMP.0100.0100.6
1.00" X 0.25"	50.5	34.8	13.2	19.0	36.0	12.0	A.CFBMP.0150.0025.6
1.00" X 0.38"	50.5	34.8	16.7	21.8	37.0	13.0	A.CFBMP.0150.0038.6
1.50" X 0.50"	50.5	34.8	21.0	26.8	40.0	16.0	A.CFBMP.0150.0050.6
1.50" X 0.75"	50.5	34.8	26.4	31.8	42.0	18.0	A.CFBMP.0150.0075.6
1.50" X 1.00"	50.5	34.8	33.3	40.0	44.0	20.0	A.CFBMP.0150.0100.6
1.50" X 1.25"	50.5	34.8	41.9	47.8	45.0	21.0	A.CFBMP.0150.0125.6
1.50" X 1.50"	50.5	34.8	47.8	54.8	47.0	23.0	A.CFBMP.0150.0150.6
2.00" X 0.50"	64.0	47.5	21.0	26.8	40.0	16.0	A.CFBMP.0200.0050.6
2.00" X 0.75"	64.0	47.5	26.4	31.8	42.0	18.0	A.CFBMP.0200.0075.6
2.00" X 1.00"	64.0	47.5	33.3	40.0	44.0	20.0	A.CFBMP.0200.0100.6
2.00" X 1.25"	64.0	47.5	41.9	47.8	45.0	21.0	A.CFBMP.0200.0125.6
2.00" X 1.50"	64.0	47.5	47.8	54.8	47.0	23.0	A.CFBMP.0200.0150.6
2.00" X 2.00"	64.0	47.5	59.6	67.0	49.0	25.0	A.CFBMP.0200.0200.6
2.50" X 1.00"	77.5	60.2	33.3	40.0	44.0	20.0	A.CFBMP.0250.0100.6
2.50" X 1.25"	77.5	60.2	41.9	47.8	45.0	21.0	A.CFBMP.0250.0125.6
2.50" X 1.50"	77.5	60.2	47.8	54.8	47.0	23.0	A.CFBMP.0250.0150.6
2.50" X 2.00"	77.5	60.2	59.6	67.0	49.0	25.0	A.CFBMP.0250.0200.6
2.50" X 2.50"	77.5	60.2	75.2	85.0	56.0	32.0	A.CFBMP.0250.0250.6
3.00" X 1.50"	91.0	72.9	47.8	54.8	47.0	23.0	A.CFBMP.0300.0150.6
3.00" X 2.00"	91.0	72.9	59.6	67.0	49.0	25.0	A.CFBMP.0300.0200.6
3.00" X 2.50"	91.0	72.9	75.2	85.0	56.0	32.0	A.CFBMP.0300.0250.6
3.00" X 3.00"	91.0	72.9	87.9	96.0	59.0	35.0	A.CFBMP.0300.0300.6

Published Data Is Given in Good Faith. We Reserve the Right To, Without Warning Change the Dimensions When Not In Conflict With The Published Standard

Flowsource Process Fittings Ltd

Unit 4 Marrtree Business Park, Cedar Road, Sowerby, Thirsk, North Yorkshire, YO7 3FF, United Kingdom  
 [T] 01535 274 316 - [e] sales@flowsourcepf.com - [w] www.flowsourcepf.com

**FLOWSOURCE**  
**PROCESS FITTINGS**