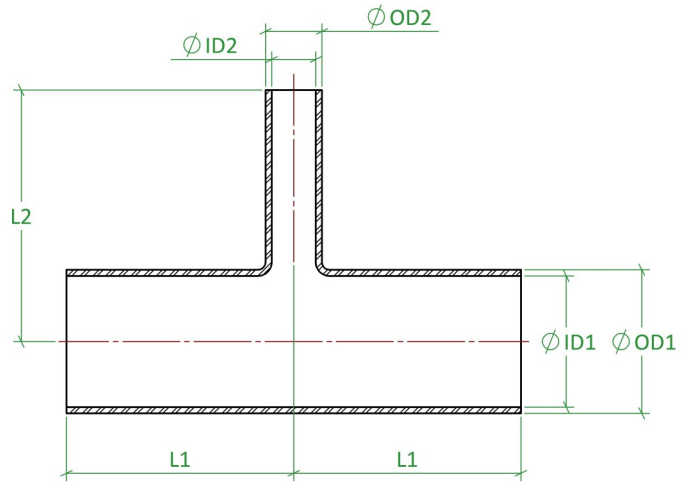
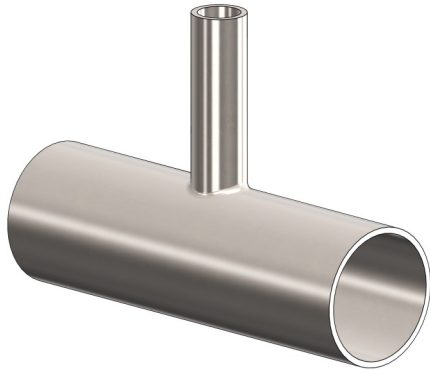
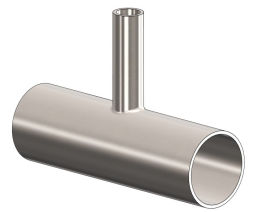


ASME BPE Fittings

DT-4.1.2-6 (DT10) Reducing Tee, Weld Ended



Standard	ASME BPE 2016	Certification	EN10204 3.1
Connections	Weld Ended	Associated Parts	DT1 Tube, DT22 TC Ferrules
Material	316L Stainless Steel EN 1.4404	Associated Standards	ASME BPE 2009, 2012
Surface Finish	SF1—0.51Ra μm Max	Options	SF4—0.38Ra μm Max E/Polished On Request
Remarks			

ASME BPE Fittings, DT-4.1.2-6 (DT10) Reducing Tee, Weld Ended							
Size (inch) Main Line X Branch	OD1 (mm)	ID1 (mm)	OD2 (mm)	ID2 (mm)	L1 (mm)	L2 (mm)	Part Code
1.000" X 0.500"	25.40	22.10	12.70	9.40	53.98	53.98	BPE.DT10.0100.0050.SF1
1.000" X 0.750"	25.40	22.10	19.05	15.75	53.98	53.98	BPE.DT10.0100.0075.SF1
1.500" X 0.500"	38.10	34.80	12.70	9.40	60.33	60.33	BPE.DT10.0150.0050.SF1
1.500" X 0.750"	38.10	34.80	19.05	15.75	60.33	60.33	BPE.DT10.0150.0075.SF1
1.500" X 1.000"	38.10	34.80	25.40	22.10	60.33	60.33	BPE.DT10.0150.0100.SF1
2.000" X 0.500"	50.80	47.50	12.70	9.40	73.03	66.68	BPE.DT10.0200.0050.SF1
2.000" X 0.750"	50.80	47.50	19.05	15.75	73.03	66.68	BPE.DT10.0200.0075.SF1
2.000" X 1.000"	50.80	47.50	25.40	22.10	73.03	66.68	BPE.DT10.0200.0100.SF1
2.000" X 1.500"	50.80	47.50	38.10	34.80	73.03	66.68	BPE.DT10.0200.0150.SF1
2.500" X 0.500"	63.50	60.20	12.70	9.40	79.38	73.03	BPE.DT10.0250.0050.SF1
2.500" X 0.750"	63.50	60.20	19.05	15.75	79.38	73.03	BPE.DT10.0250.0075.SF1
2.500" X 1.000"	63.50	60.20	25.40	22.10	79.38	73.03	BPE.DT10.0250.0100.SF1
2.500" X 1.500"	63.50	60.20	38.10	34.80	79.38	73.03	BPE.DT10.0250.0150.SF1
2.500" X 2.000"	63.50	60.20	50.80	47.50	79.38	73.03	BPE.DT10.0250.0200.SF1
3.000" X 1.000"	76.20	72.90	25.40	22.10	85.73	79.38	BPE.DT10.0300.0100.SF1
3.000" X 1.500"	76.20	72.90	38.10	34.80	85.73	79.38	BPE.DT10.0300.0150.SF1
3.000" X 2.000"	76.20	72.90	50.80	47.50	85.73	79.38	BPE.DT10.0300.0200.SF1
3.000" X 2.500"	76.20	72.90	63.50	60.20	85.73	79.38	BPE.DT10.0300.0250.SF1
4.000" X 1.000"	101.60	97.38	25.40	22.10	104.78	92.08	BPE.DT10.0400.0100.SF1
4.000" X 1.500"	101.60	97.38	38.10	34.80	104.78	92.08	BPE.DT10.0400.0150.SF1
4.000" X 2.000"	101.60	97.38	50.80	47.50	104.78	92.08	BPE.DT10.0400.0200.SF1
4.000" X 2.500"	101.60	97.38	63.50	60.20	104.78	92.08	BPE.DT10.0400.0250.SF1
4.000" X 3.000"	101.60	97.38	76.20	72.90	104.78	92.08	BPE.DT10.0400.0300.SF1

Published Data Is Given in Good Faith. We Reserve the Right To, Without Warning Change the Dimensions When Not In Conflict With The Published Standard

Flowsource Process Fittings

Unit 2D Hockney Road Industrial Estate, West Yorkshire, BD8 9HQ, United Kingdom
 [T] 01535 274 316 - [e] sales@flowsourcepf.com - [w] www.flowsourcepf.com

FLWSOURCE
PROCESS FITTINGS