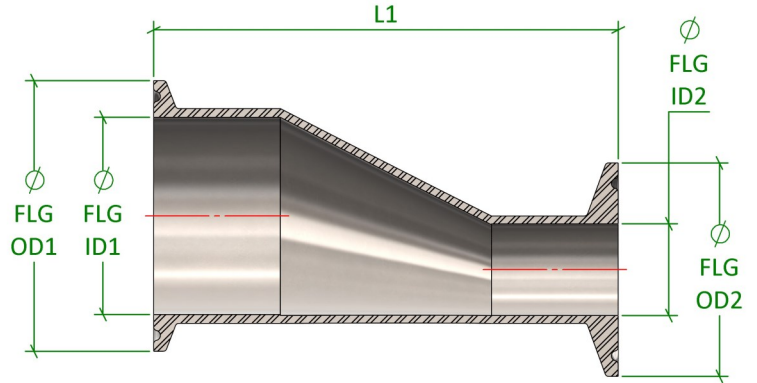
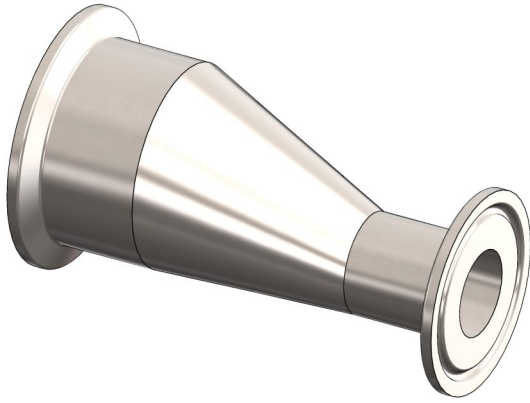
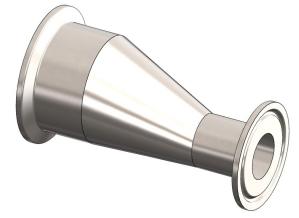


# ASME BPE Fittings

## DT-4.1.3-3 (DT21E) Eccentric Reducer, Clamp Ended



<b>Standard</b>	ASME BPE 2016 & 2022	<b>Certification</b>	EN10204 3.1
<b>Connections</b>	TC (Clamp) Ended	<b>Associated Parts</b>	All ASME BPE Fittings
<b>Material</b>	316L Stainless Steel EN 1.4404	<b>Associated Standards</b>	ASME BPE 2009 & 2012, BS4825-3
<b>Surface Finish</b>	SF1 = (0.51Ra $\mu\text{m}$ Max)	<b>Options</b>	SF4 = (0.38Ra $\mu\text{m}$ Max Electro-Polished)
<b>Remarks</b>	Duplex Materials On Request		

### ASME BPE Fittings, DT-4.1.3-3 (DT21E), Eccentric Reducer, TC Ended

Size (inch) Clamp X Clamp	FLG OD1 (mm)	FLG ID1 (mm)	FLG OD2 (mm)	FLG ID2 (mm)	L1 (mm)	Part Ordering Code
0.75" X 0.50"	25.4	15.9	25.4	9.4	79.4	BPE.DT21E.0075.0050.SF1
1.00" X 0.50"	50.5	22.1	25.4	9.4	88.9	BPE.DT21E.0100.0050.SF1
1.00" X 0.75"	50.5	22.1	25.4	15.8	79.4	BPE.DT21E.0100.0075.SF1
1.50" X 0.75"	50.5	34.8	25.4	15.8	101.6	BPE.DT21E.0150.0075.SF1
1.50" X 1.00"	50.5	34.8	50.5	22.1	88.9	BPE.DT21E.0150.0100.SF1
2.00" X 1.00"	64.0	47.5	50.5	22.1	111.1	BPE.DT21E.0200.0100.SF1
2.00" X 1.50"	64.0	47.5	50.5	34.8	88.9	BPE.DT21E.0200.0150.SF1
2.50" X 1.50"	77.5	60.2	50.5	34.8	111.1	BPE.DT21E.0250.0150.SF1
2.50" X 2.00"	77.5	60.2	64.0	47.5	88.9	BPE.DT21E.0250.0200.SF1
3.00" X 1.50"	91.0	72.9	50.5	34.8	133.4	BPE.DT21E.0300.0150.SF1
3.00" X 2.00"	91.0	72.9	64.0	47.5	111.1	BPE.DT21E.0300.0200.SF1
3.00" X 2.50"	91.0	72.9	77.5	60.2	92.1	BPE.DT21E.0300.0250.SF1
4.00" X 2.00"	101.6	97.4	64.0	47.5	158.8	BPE.DT21E.0400.0200.SF1
4.00" X 2.50"	101.6	97.4	77.5	60.2	136.5	BPE.DT21E.0400.0250.SF1
4.00" X 3.00"	101.6	97.4	91.0	72.9	127.0	BPE.DT21E.0400.0300.SF1

Published Data Is Given in Good Faith. We Reserve the Right To, Without Warning Change the Dimensions When Not In Conflict With The Published Standard

Flowsource Process Fittings Ltd

Unit 4 Marrtree Business Park, Cedar Road, Sowerby, Thirsk, North Yorkshire, YO7 3FF, United Kingdom  
[T] 01535 274 316 - [e] sales@flowsourcepf.com - [w] www.flowsourcepf.com

**FLWSOURCE**  
**PROCESS FITTINGS**