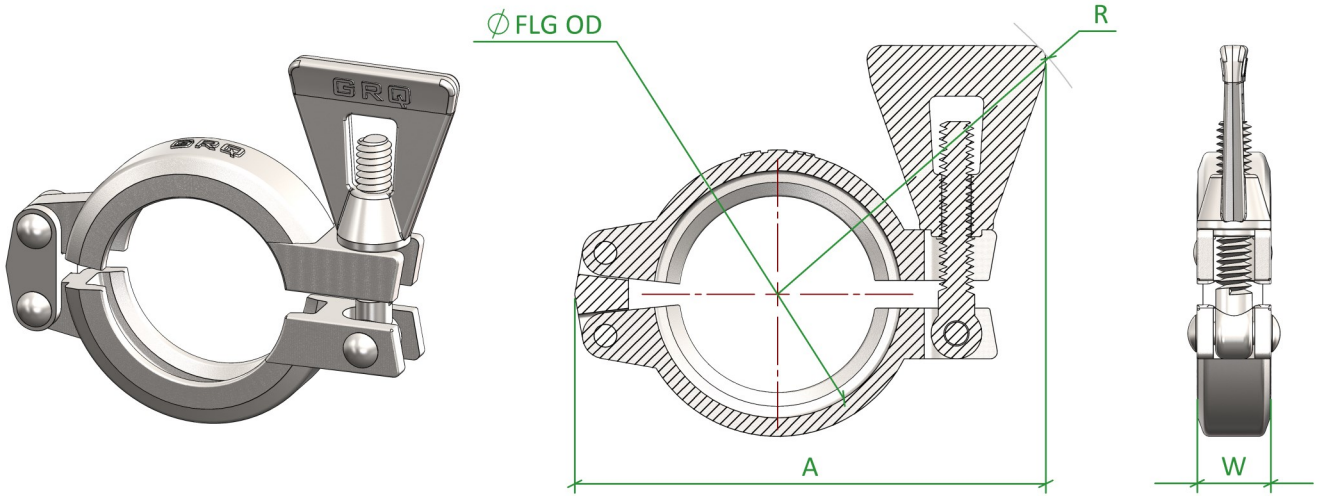
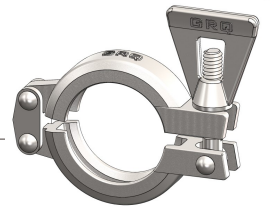


Tri-Clamp Fittings

TC Clamps, GRQ



Standard	Universal / Suits ALL TC Fittings Standards	Certification	TUV Pressure Test Report Upon Request
Connections	TC Fitting, 13MHMD	Associated Parts	TC Ferrules TC Gasket, TC Blanks
Material	304 Cast Stainless Steel EN 1.4401	Associated Standards	ALL International TC Ferrule Standards
Surface Finish	Barrel Polished, Approx. 1.2Ra	Options	Available with a Hex Nut replacing Wing-Nut
Remarks	Patented Clamp, Designed Specifically To Be Universal With All International Tri-Clamp Standard.		

TC Fittings, TC Clamp, Universal / All Standards, GRQ

Size (inch)	FLG OD (mm)	A (mm)	W (mm)	R (mm)	Pressure Rating @ 90°C (bar)	Pressure Rating @ 90°C (psi)	Part Code
0.500"-0.075"	25.40	73	16	67	50	725	CC.GRQ.0050-0075.4
DN10/15/20	34.00	84	16	71	50	725	CC.GRQ.D010-D020.4
1.000"-1.500"	50.50	104	16	80	50	725	CC.GRQ.0100-0150.4
2.000"	64.00	118	16	85	50	725	CC.GRQ.0200.4
2.500"	77.50	131	16	90	50	725	CC.GRQ.0250.4
3.000"	91.00	145	16	96	40	580	CC.GRQ.0300.4
3.500"	106.00	160	16	102	30	435	CC.GRQ.0350.4
4.000"	119.00	173	16	108	25	363	CC.GRQ.0400.4
4.500"	130.00	184	16	112	25	363	CC.GRQ.0450.4
5.000"	144.40	203	17	122	25	363	CC.GRQ.0500.4
5.500"	155.00	216	23	133	25	363	CC.GRQ.0550.4
6.000"	167.00	230	23	138	20	290	CC.GRQ.0600.4
6.580"	183.00	244	23	145	20	290	CC.GRQ.0658.4
8.000"	217.40	279	23	161	15	218	CC.GRQ.0800.4
8.580"	233.50	303	23	168	15	218	CC.GRQ.0858.4
10.000"	268.00	330	24	185	12	174	CC.GRQ.1000.4
10.750"	286.10	349	24	194	12	174	CC.GRQ.1075.4
12.000"	319.00	382	24	210	10	145	CC.GRQ.1200.4
12.750"	338.00	402	24	220	9	131	CC.GRQ.1275.4

Published Data Is Given in Good Faith. We Reserve the Right To, Without Warning Change the Dimensions When Not In Conflict With The Published Standard

Flowsource Process Fittings Ltd

Unit 4 Marrtree Business Park, Cedar Road, Sowerby, Thirsk, North Yorkshire, YO7 3FF, United Kingdom
 [T] 01535 274 316 - [e] sales@flowsourcepf.com - [w] www.flowsourcepf.com

FLWSOURCE
PROCESS FITTINGS