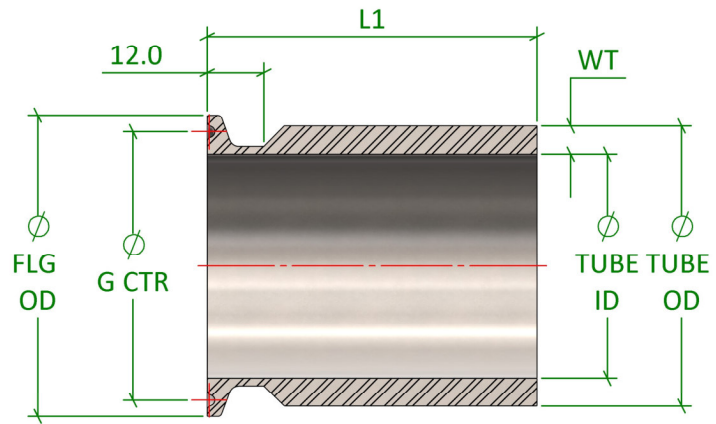
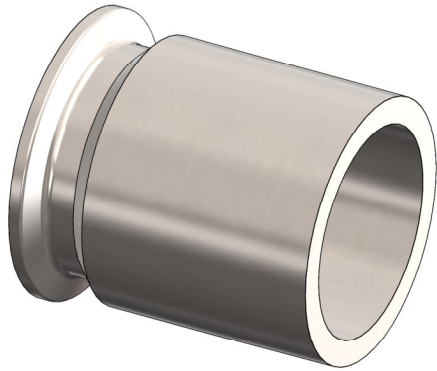
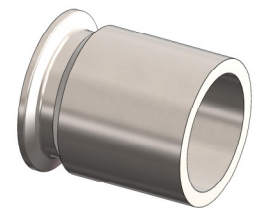


Tri-Clamp Fittings

TC Ferrules, Tank Ferrules



Standard	Imperial, PD5500	Certification	EN10204 3.1
Connections	TC Fitting X Weld End	Associated Parts	TC Clamp, TC Gaskets, TC Blanks
Material	316L Stainless Steel EN 1.4404	Associated Standards	14MPW, PD5500
Surface Finish	0.8Ra μ m Average, Internal Wetted Surfaces	Options	Non Standard Lengths, Duplex Materials
Remarks	Tank Ferrules Suitable For PED & PD5500 Applications		

TC Fittings, TC Ferrule, Tank Ferrules 5mm Wall

Size (inch)	FLG OD (mm)	TUBE OD (mm)	TUBE ID (mm)	WT (mm)	G CTR (mm)	L1 (mm)	Part Ordering Code
0.50"	25.4	19.4	9.4	5.00	20.3	50.0	CF.TF.5W.0050-50L
0.75"	25.4	25.8	15.8	5.00	20.3	50.0	CF.TF.5W.0075-50L
1.00"	50.5	32.1	22.1	5.00	43.5	70.0	CF.TF.5W.0100-70L
1.50"	50.5	44.8	34.8	5.00	43.5	70.0	CF.TF.5W.0150-70L
2.00"	64.0	57.5	47.5	5.00	56.5	70.0	CF.TF.5W.0200-70L
2.50"	77.5	70.2	60.2	5.00	70.5	70.0	CF.TF.5W.0250-70L
3.00"	91.0	82.9	72.9	5.00	83.5	70.0	CF.TF.5W.0300-70L
4.00"	119.0	107.4	97.4	5.00	110.0	70.0	CF.TF.5W.0400-70L

TC Fittings, TC Ferrule, Tank Ferrules 6mm Wall

Size (inch)	FLG OD (mm)	TUBE OD (mm)	TUBE ID (mm)	WT (mm)	G CTR (mm)	L1 (mm)	Part Ordering Code
1.00"	50.5	34.1	22.1	6.00	43.5	70.0	CF.TF.6W.0100-50L
1.50"	50.5	46.8	34.8	6.00	43.5	70.0	CF.TF.6W.0150-50L
2.00"	64.0	59.5	47.5	6.00	56.5	70.0	CF.TF.6W.0200-70L
2.50"	77.5	72.2	60.2	6.00	70.5	70.0	CF.TF.6W.0250-70L
3.00"	91.0	84.9	72.9	6.00	83.5	70.0	CF.TF.6W.0300-70L
4.00"	119.0	109.4	97.4	6.00	110.0	70.0	CF.TF.6W.0400-70L
6.00"	167.0	162.0	150.0	6.00	156.5	70.0	CF.TF.6W.0600-70L
8.00"	217.4	212.0	200.0	6.00	207.4	70.0	CF.TF.6W.0800-70L

Published Data Is Given in Good Faith. We Reserve the Right To, Without Warning Change the Dimensions When Not In Conflict With The Published Standard

Flowsource Process Fittings Ltd

Unit 4 Marrtree Business Park, Cedar Road, Sowerby, Thirsk, North Yorkshire, YO7 3FF, United Kingdom
 [T] 01535 274 316 - [e] sales@flowsourcepf.com - [w] www.flowsourcepf.com

FLOWSOURCE
PROCESS FITTINGS