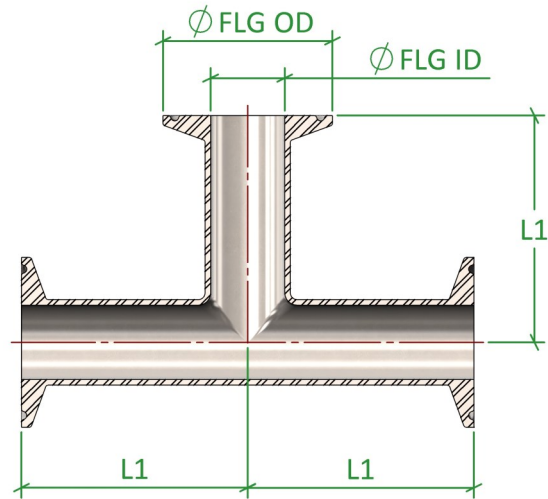
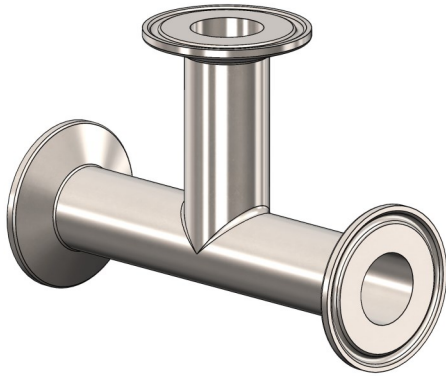
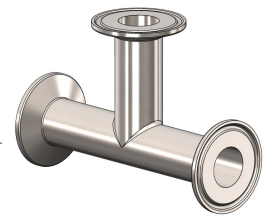


Clamp Ended Fittings

BS / Imperial Equal Tees



Standard	BS4825-2 + BS4825-3	Certification	EN10204 3.1
Connections	TC Ferrule Ended	Associated Parts	Clamp Ended Tee's, TC Ferrules BS4825-3
Material	316L Stainless Steel EN 1.4404	Associated Standards	BS4825-3 / DIN32676-C
Surface Finish	Dull Polish, Welds Removed, (Approx. 1.0Ra µm)	Options	Other Sizes Available, Duplex Materials
Remarks	Standard BS4825-2 Fittings with BS4825-3 TC Ferrules Welded & Polished, No Welds Visible.		

TC Ended Fittings, BS/Imperial Equal Tees

Size (inch)	FLG OD (mm)	FLG ID (mm)	L1 (mm)	Part Code
0.500"	25.40	9.40	57.20	CTE.BS.0050
0.750"	25.40	15.70	60.30	CTE.BS.0075
1.000"	50.50	22.10	66.70	CTE.BS.0100
1.500"	50.50	34.80	73.00	CTE.BS.0150
2.000"	64.00	47.50	85.70	CTE.BS.0200
2.500"	77.50	60.20	92.10	CTE.BS.0250
3.000"	91.00	72.90	98.40	CTE.BS.0300
4.000"	119.00	97.38	120.70	CTE.BS.0400

Published Data Is Given in Good Faith. We Reserve the Right To, Without Warning Change the Dimensions When Not In Conflict With The Published Standard

Flowsource Process Fittings

Unit 2D Hockney Road Industrial Estate, West Yorkshire, BD8 9HQ, United Kingdom
 [T] 01535 274 316 - [e] sales@flowsourcepf.com - [w] www.flowsourcepf.com

FLWSOURCE
PROCESS FITTINGS