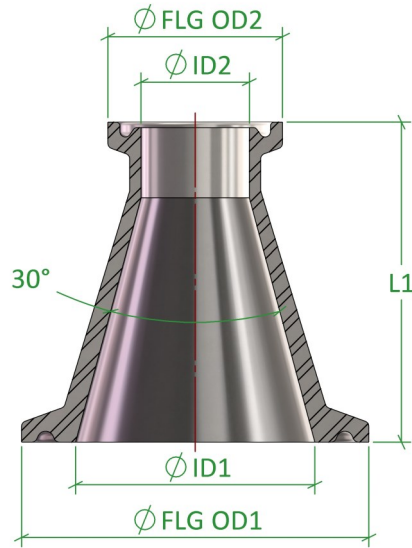


Adapters

Concentric Reducer, TC Ferrule X TC Ferrule



Standard	BS4825-3, Flowsource PF	Certification	EN10204 3.1
Connections	TC Fitting BS4825-3	Associated Parts	TC Clamp, TC Gasket, TC Blanks
Material	316L Stainless Steel EN 1.4404	Associated Standards	ASME BPE 2019, DIN32676-C
Surface Finish	1.0Ra Internal Wetted Surfaces	Options	Non Standard Sizes, Duplex Materials
Remarks	Machined From A Single Stainless Steel Billet (No Welds). 30 Deg Angle Is Common Throughout Range.		

Adapters, Concentric Reducer, TC Ferrule X TC Ferrule							
Size (inch) FLG OD1 X FLG OD2	FLG OD1 (mm)	ID1 (mm)	FLG OD2 (mm)	ID2 (mm)		L1 (mm)	Part Code
1.000" X 0.500"	25.40	22.10	12.70	9.40		34.70	CRC.100.050
1.000" X 0.750"	25.40	22.10	19.05	15.75		22.85	CRC.100.075
1.500" X 0.500"	50.50	34.80	25.40	9.40		58.40	CRC.150.050
1.500" X 0.750"	50.50	34.80	25.40	15.75		46.55	CRC.150.075
1.500" X 1.000"	50.80	34.80	50.50	22.10		34.70	CRC.150.100
2.000" X 0.500"	64.00	47.50	25.40	9.40		82.10	CRC.200.050
2.000" X 0.750"	64.00	47.50	25.40	15.75		70.25	CRC.200.075
2.000" X 1.000"	64.00	47.50	50.50	22.10		58.40	CRC.200.100
2.000" X 1.500"	64.00	47.50	50.50	34.80		34.70	CRC.200.150
2.500" X 1.000"	77.50	60.20	50.50	22.10		82.10	CRC.250.100
2.500" X 1.500"	77.50	60.20	50.50	38.10		58.40	CRC.250.150
2.500" X 2.000"	77.50	60.20	64.00	47.50		34.70	CRC.250.200
3.000" X 1.000"	91.00	72.90	50.50	22.10		105.79	CRC.300.100
3.000" X 1.500"	91.00	72.90	50.50	34.80		82.10	CRC.300.150
3.000" X 2.000"	91.00	72.90	64.00	47.50		58.40	CRC.300.200
3.000" X 2.500"	91.00	72.90	77.50	60.20		34.70	CRC.300.250
4.000" X 2.000"	119.00	97.40	64.00	47.50		105.79	CRC.400.200
4.000" X 2.500"	119.00	97.40	77.50	60.20		82.10	CRC.400.250
4.000" X 3.000"	119.00	97.40	91.00	72.90		58.40	CRC.400.300

Published Data Is Given in Good Faith. We Reserve the Right To, Without Warning Change the Dimensions When Not In Conflict With The Published Standard

Flowsource Process Fittings

Unit 2D Hockney Road Industrial Estate, West Yorkshire, BD8 9HQ, United Kingdom
 [T] 01535 274 316 - [e] sales@flowsourcepf.com - [w] www.flowsourcepf.com

FLWSOURCE
PROCESS FITTINGS