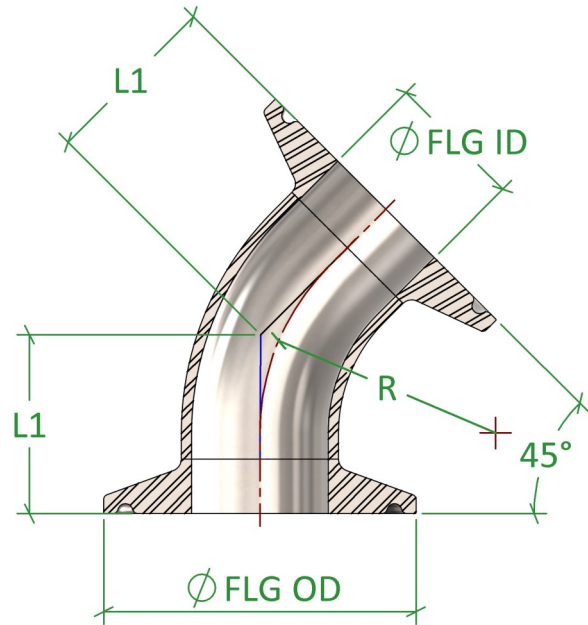


# Clamp Ended Fittings

## BS / Imperial 45° Bends



<b>Standard</b>	BS4825-2 + BS4825-3	<b>Certification</b>	EN10204 3.1
<b>Connections</b>	TC Ferrule Ended	<b>Associated Parts</b>	Clamp Ended Tee's, 90 Deg ,TC Ferrules BS4825-3
<b>Material</b>	316L Stainless Steel EN 1.4404	<b>Associated Standards</b>	BS4825-3 / DIN32676-C
<b>Surface Finish</b>	Dull Polish, Welds Removed, (Approx. 1.0Ra µm )	<b>Options</b>	Other Sizes Available, Duplex Materials
<b>Remarks</b>	Standard BS4825-2 Fittings with BS4825-3 TC Ferrules Welded & Polished, No Welds Visible.		

### Clamp Ended Fittings, BS/Imperial 45° Bends

Size (inch)	FLG OD (mm)	FLG ID (mm)			R (mm)	L1 (mm)	Part Code
0.50"	25.40	9.40			19.00	19.80	C45.BS.0050
0.75"	25.40	15.70			28.60	24.60	C45.BS.0075
1.00"	50.50	22.10			38.10	28.50	C45.BS.0100
1.50"	50.50	34.80			57.15	36.50	C45.BS.0150
2.00"	64.00	47.50			76.20	44.50	C45.BS.0200
2.50"	77.50	60.20			95.25	52.30	C45.BS.0250
3.00"	91.00	72.90			114.30	60.30	C45.BS.0300
4.00"	119.00	97.38			152.40	79.10	C45.BS.0400

Published Data Is Given in Good Faith. We Reserve the Right To, Without Warning Change the Dimensions When Not In Conflict With The Published Standard

#### Flowsource Process Fittings

Unit 2D Hockney Road Industrial Estate, West Yorkshire, BD8 9HQ, United Kingdom  
 [T] 01535 274 316 - [e] sales@flowsourcepf.com - [w] www.flowsourcepf.com

**FLWSOURCE**  
**PROCESS FITTINGS**