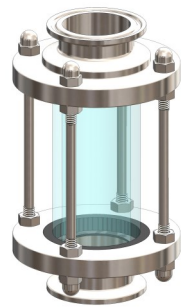
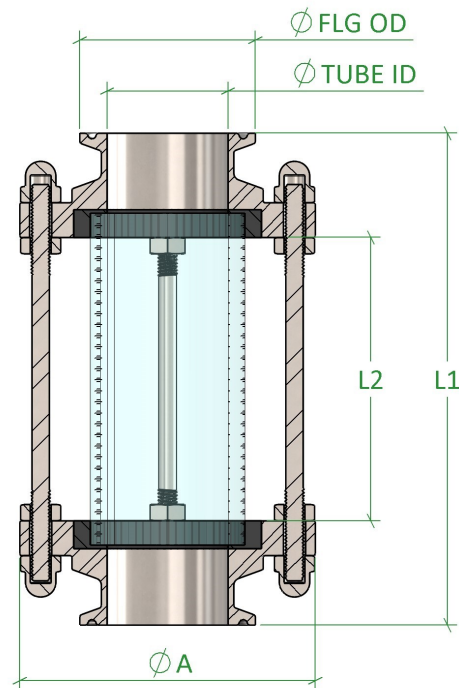
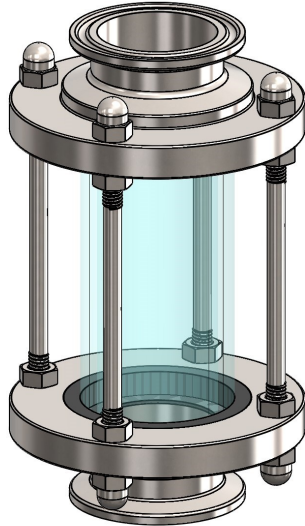


# Sight Glasses

## Inline Type, Economy Range, Clamp Ended



GLASS IS SHOWN AS BLUE COLOUR FOR DATA SHEET CLARITY ONLY



<b>Standard</b>	BS / 3A—Imperial	<b>Certification</b>	EN10204 3.1, CofC For Glass
<b>Connections</b>	Clamp End X Clamp End	<b>Associated Parts</b>	BS4825-3, ASME BPE
<b>Material</b>	316L / EPDM / Borosilicate	<b>Associated Standards</b>	BS48258-3, 3A
<b>Surface Finish</b>	0.8Ra Internal Wetted Surfaces	<b>Options</b>	Non Standard Sizes, Pharmaceutical Range
<b>Remarks</b>	0.50", 0.75" & 6.00" Sizes Available Weld Ended		

### Sight Glass, Inline, Economy Range, Clamp Ended, 316 St.St / EPDM / Borosilicate

Size (inch)	FLG OD (mm)	TUBE ID (mm)	A (mm)	L1 (mm)	L2 (mm)	Part Code
1.00"	50.5	22.1	79.0	153.0	83.0	SG.IL.ECO.0100.CC
1.50"	50.5	34.8	85.0	151.0	81.0	SG.IL.ECO.0150.CC
2.00"	64.0	47.5	100.0	155.0	81.0	SG.IL.ECO.0200.CC
2.50"	77.5	60.2	115.0	153.0	77.0	SG.IL.ECO.0250.CC
3.00"	91.0	72.9	127.0	154.0	76.0	SG.IL.ECO.0300.CC
4.00"	119.0	97.4	156.0	165.0	75.0	SG.IL.ECO.0400.CC

Published Data Is Given in Good Faith. We Reserve the Right To, Without Warning Change the Dimensions When Not In Conflict With The Published Standard

#### Flowsource Process Fittings

Unit 2D Hockney Road Industrial Estate, West Yorkshire, BD8 9HQ, United Kingdom  
 [T] 01535 274 316 - [e] sales@flowsourcepf.com - [w] www.flowsourcepf.com

**FLWSOURCE**  
**PROCESS FITTINGS**