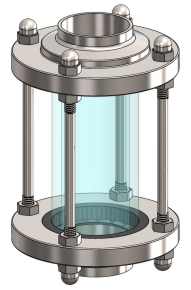
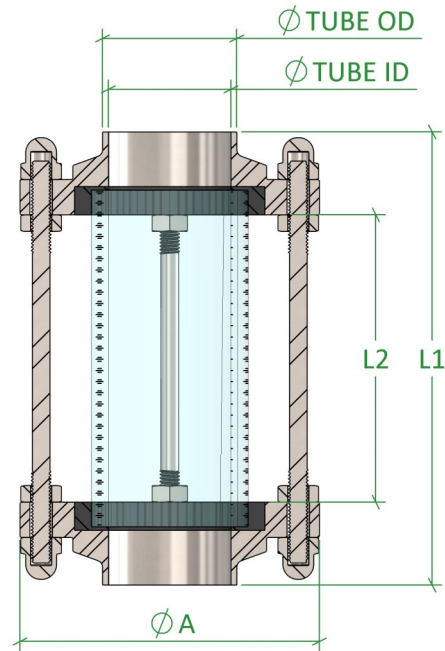
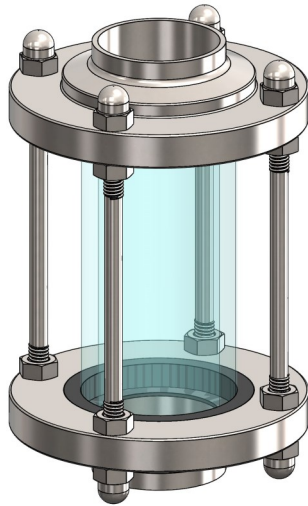


Sight Glasses

Inline Type, Economy Range, Weld Ended



GLASS IS SHOWN AS BLUE COLOUR FOR DATA SHEET CLARITY ONLY



Standard	BS / 3A—Imperial	Certification	EN10204 3.1, CofC For Glass
Connections	Weld End X Weld End	Associated Parts	Imperial OD Fittings & Tube
Material	316L / EPDM / Borosilicate	Associated Standards	BS48258-3, 3A
Surface Finish	0.8Ra Internal Wetted Surfaces	Options	Non Standard Sizes, Pharmaceutical Range
Remarks	Also Available With Clamp Ended		

Sight Glass, Inline, Economy Range, Weld Ended, 316 St.St / EPDM / Borosilicate

Size (inch)	TUBE OD (mm)	TUBE ID (mm)	A (mm)	L1 (mm)	L2 (mm)	Part Code
0.50"	12.7	9.4	49.0	91.0	44.0	SG.IL.ECO.0050.WW
0.75"	19.1	15.8	49.0	91.0	44.0	SG.IL.ECO.0075.WW
1.00"	25.4	22.1	79.0	130.0	83.0	SG.IL.ECO.0100.WW
1.50"	38.1	34.8	85.0	128.0	85.0	SG.IL.ECO.0150.WW
2.00"	50.8	47.5	100.0	133.0	81.0	SG.IL.ECO.0200.WW
2.50"	63.5	60.2	115.0	131.0	77.0	SG.IL.ECO.0250.WW
3.00"	76.1	72.9	127.0	134.0	78.0	SG.IL.ECO.0300.WW
4.00"	101.6	97.4	156.0	135.0	75.0	SG.IL.ECO.0400.WW
6.00"	152.4	146.8	215.0	135.0	75.0	SG.IL.ECO.0600.WW

Published Data Is Given in Good Faith. We Reserve the Right To, Without Warning Change the Dimensions When Not In Conflict With The Published Standard

Flowsource Process Fittings Ltd

Unit 4 Marrtree Business Park, Cedar Road, Sowerby, Thirsk, North Yorkshire, YO7 3FF, United Kingdom
 [T] 01535 274 316 - [e] sales@flowsourcepf.com - [w] www.flowsourcepf.com

FLOWSOURCE
PROCESS FITTINGS