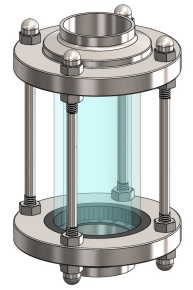
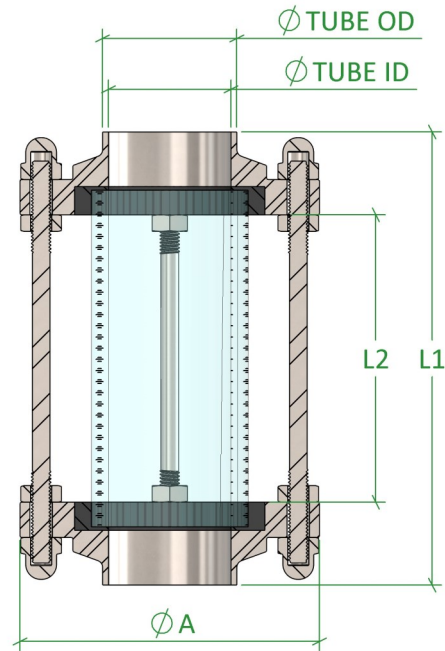
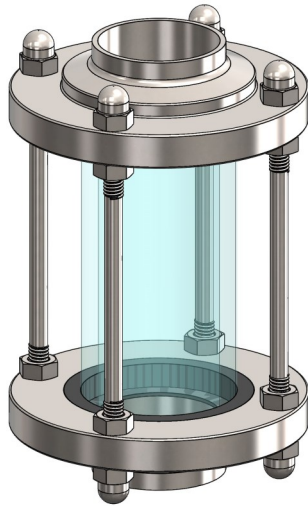


# Sight Glasses

## Inline Type, Economy Range, Weld Ended



GLASS IS SHOWN AS BLUE COLOUR FOR DATA SHEET CLARITY ONLY



<b>Standard</b>	BS / 3A—Imperial	<b>Certification</b>	EN10204 3.1, CofC For Glass
<b>Connections</b>	Weld End X Weld End	<b>Associated Parts</b>	Imperial OD Fittings & Tube
<b>Material</b>	316L / EPDM / Borosilicate	<b>Associated Standards</b>	BS48258-3, 3A
<b>Surface Finish</b>	0.8Ra Internal Wetted Surfaces	<b>Options</b>	Non Standard Sizes, Pharmaceutical Range
<b>Remarks</b>	Also Available With Clamp Ended		

### Sight Glass, Inline, Economy Range, Weld Ended, 316 St.St / EPDM / Borosilicate

Size (inch)	TUBE OD (mm)	TUBE ID (mm)	A (mm)	L1 (mm)	L2 (mm)	Part Code
0.50"	12.7	9.4	49.0	91.0	44.0	SG.IL.ECO.0050.WW
0.75"	19.1	15.8	49.0	91.0	44.0	SG.IL.ECO.0075.WW
1.00"	25.4	22.1	79.0	130.0	83.0	SG.IL.ECO.0100.WW
1.50"	38.1	34.8	85.0	128.0	85.0	SG.IL.ECO.0150.WW
2.00"	50.8	47.5	100.0	133.0	81.0	SG.IL.ECO.0200.WW
2.50"	63.5	60.2	115.0	131.0	77.0	SG.IL.ECO.0250.WW
3.00"	76.1	72.9	127.0	134.0	78.0	SG.IL.ECO.0300.WW
4.00"	101.6	97.4	156.0	135.0	75.0	SG.IL.ECO.0400.WW
6.00"	152.4	146.8	215.0	135.0	75.0	SG.IL.ECO.0600.WW

Published Data Is Given in Good Faith. We Reserve the Right To, Without Warning Change the Dimensions When Not In Conflict With The Published Standard

#### Flowsource Process Fittings

Unit 2D Hockney Road Industrial Estate, West Yorkshire, BD8 9HQ, United Kingdom  
 [T] 01535 274 316 - [e] sales@flowsourcepf.com - [w] www.flowsourcepf.com

**FLOWSOURCE**  
**PROCESS FITTINGS**