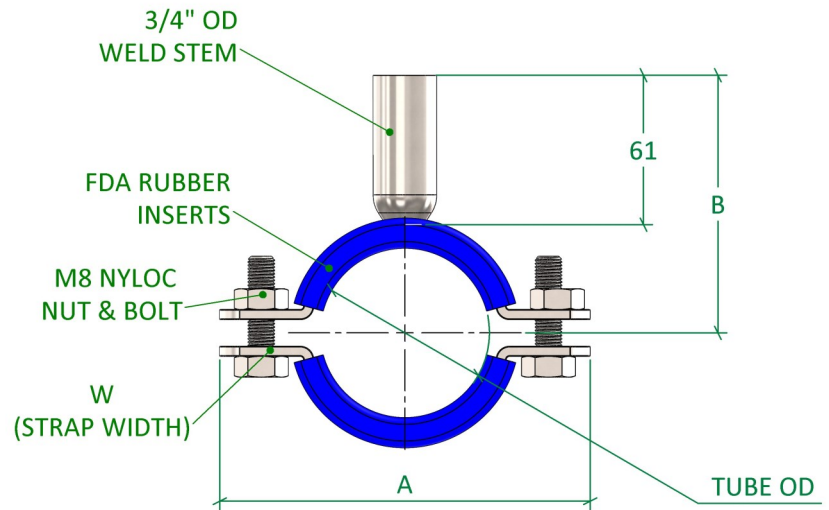
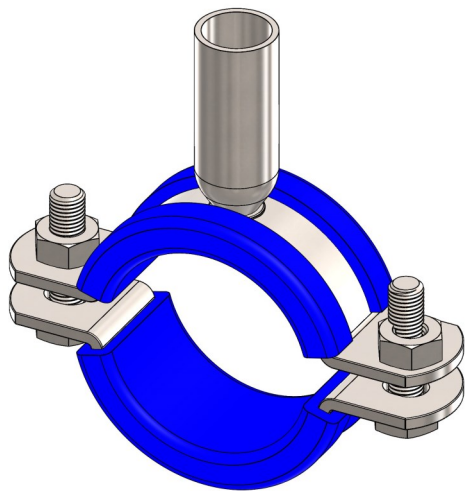
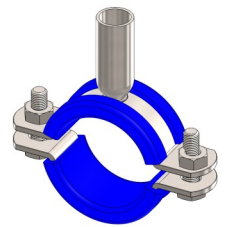


Pipe Clips

Saddle Clips, Weld Stem & Inserts



Standard	Suits OD / Imperial Pipework	Certification	CofC
Connections	3/4" OD Weld Stem	Associated Parts	OD Imperial Tube
Material	304 Stainless Steel / Rubber	Associated Standards	BS4825-1,
Surface Finish	Barrel Polished, Approx. 1.2Ra	Options	Connections: M10 Boss, Threaded Bar, Plain
Remarks	Other Options Available On Request		

Pipe Clips, Saddle Clips, 3/4" OD Weld Stem & Rubber Inserts

Size (inch)	Tube OD (mm)	A	B	W			Part Code
0.50"	12.70	82	73	25			PC.SC.WS.0050
0.75"	19.05	82	77	25			PC.SC.WS.0075
1.00"	25.40	82	80	25			PC.SC.WS.0100
1.50"	31.80	96	83	25			PC.SC.WS.0150
2.00"	50.80	110	92	25			PC.SC.WS.0200
2.50"	63.50	122	99	25			PC.SC.WS.0250
3.00"	76.20	138	105	25			PC.SC.WS.0300
3.50"	88.90	150	111	25			PC.SC.WS.0350
4.00"	101.60	164	118	25			PC.SC.WS.0400
4.50"	114.30	174	124	25			PC.SC.WS.0450
5.00"	129.00	193	132	25			PC.SC.WS.0500
6.00"	154.00	217	144	25			PC.SC.WS.0600
6.58"	168.30	245	151	25			PC.SC.WS.0658
8.00"	204.00	280	169	25			PC.SC.WS.0800
10.00"	219.10	328	177	25			PC.SC.WS.1000

Published Data Is Given in Good Faith. We Reserve the Right To, Without Warning Change the Dimensions When Not In Conflict With The Published Standard

Flowsource Process Fittings Ltd

Unit 4 Marrtree Business Park, Cedar Road, Sowerby, Thirsk, North Yorkshire, YO7 3FF, United Kingdom
 [T] 01535 274 316 - [e] sales@flowsourcepf.com - [w] www.flowsourcepf.com

FLWSOURCE
PROCESS FITTINGS