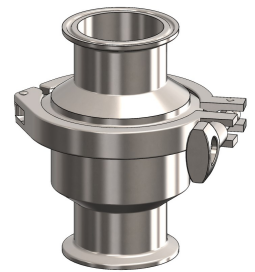
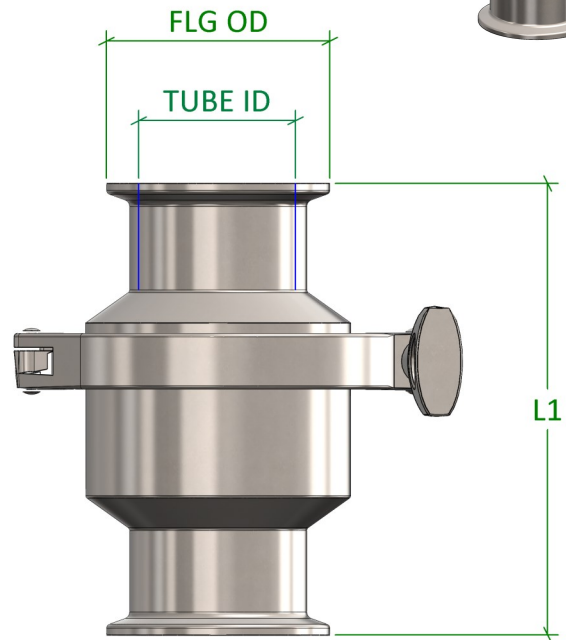
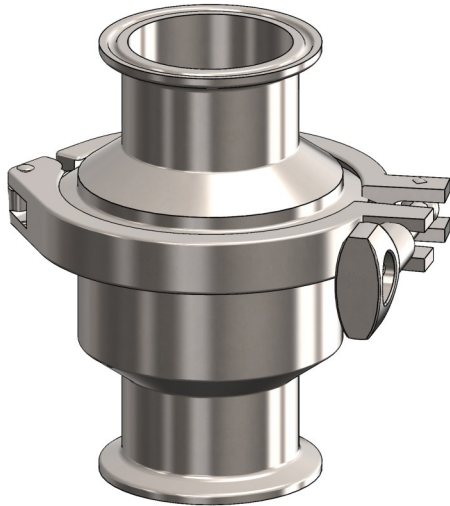


Non Return Valve

Spring Loaded, Clamp Ended



NON RETURN VALVE
SPRING LOADED



Standard	BS / 3A—Imperial	Certification	EN10204 3.1, CofC For Glass
Connections	Clamp End X Clamp End	Associated Parts	BS4825-3, ASME BPE
Material	316L Body / 304 Clamp / EPDM Seal	Associated Standards	BS48258-3, 3A
Surface Finish	0.8Ra Internal Wetted Surfaces	Options	Non Standard Sizes, Pharmaceutical Range
Remarks	Available As Weld Ended		

Non Return Valve, Spring Loaded, Clamp Ended, 316 St.St Body / EPDM Seals							
Size (inch)	FLG OD (mm)	TUBE ID (mm)	L (mm)		Opening Pressure (bar)	Max Op. Pressure (bar@120C)	Part Code
0.50"	25.4	9.4	88		0.1-0.3	10	NRV.CC.0050.6
0.75"	25.4	15.8	88		0.1-0.3	10	NRV.CC.0075.6
1.00"	50.5	22.1	105		0.1-0.3	10	NRV.CC.0100.6
1.50"	50.5	34.8	116		0.1-0.3	10	NRV.CC.0150.6
2.00"	64.0	47.5	128		0.1-0.3	10	NRV.CC.0200.6
2.50"	77.5	60.2	137		0.1-0.3	10	NRV.CC.0250.6
3.00"	91.0	72.9	156		0.1-0.3	10	NRV.CC.0300.6
4.00"	119.0	97.4	206		0.1-0.3	10	NRV.CC.0400.6

Published Data Is Given in Good Faith. We Reserve the Right To, Without Warning Change the Dimensions When Not In Conflict With The Published Standard

Flowsource Process Fittings Ltd

Unit 4 Marrtree Business Park, Cedar Road, Sowerby, Thirsk, North Yorkshire, YO7 3FF, United Kingdom
[T] 01535 274 316 - [e] sales@flowsourcepf.com - [w] www.flowsourcepf.com

FLWSOURCE
PROCESS FITTINGS