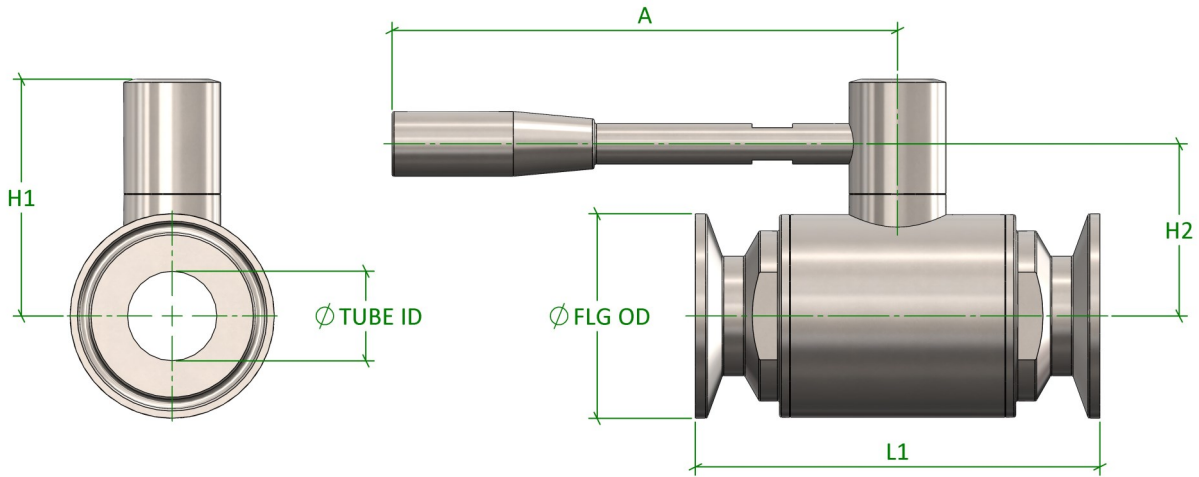
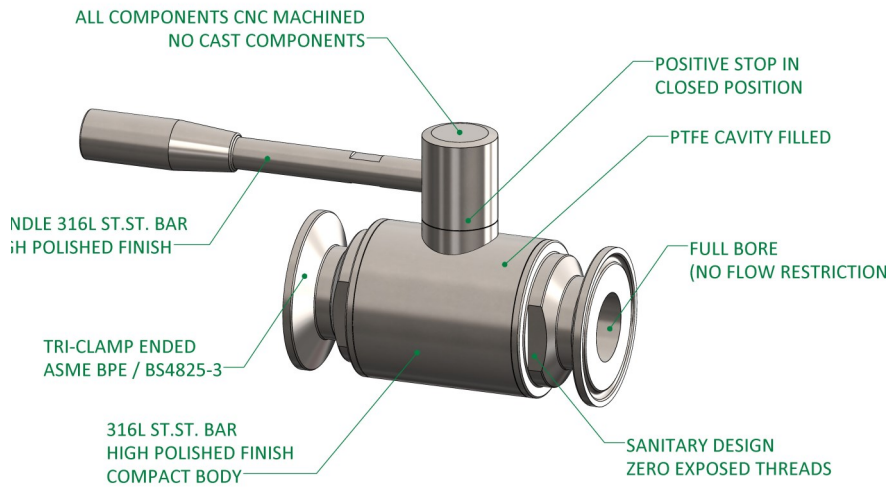
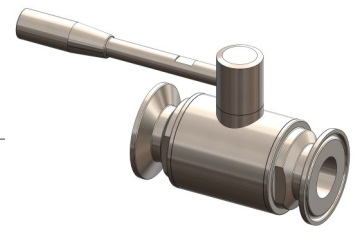


# Ball Valves

## Straight Through, Sanitary, Full Bore, Clamp Ended



Standard	BS / ASME BPE / 3A—Imperial	Certification	EN10204 3.1, FDA for Seal
Connections	Clamp End X Clamp End	Associated Parts	BS4825-3, All Imperial Clamp Ended Fittings
Material	316L All Components / PTFE Filled	Associated Standards	BS48258-3, 3A
Surface Finish	0.5Ra Internal Wetted Surfaces	Options	Weld Ended & Alternative Sizes Upon Request
Remarks			

### Straight Through Ball Valve, Sanitary, Full Bore, Clamp Ended, 316 St.St Body & Handle / PTFE Cavity Filled

Size (inch)	FLG OD (mm)	TUBE ID (mm)	A (mm)	H1 (mm)	L (mm)	Max Op. Pressure (bar@150C)	Part Code
0.50"	25.4	9.4	124	40	95	10	BLV.STH.CC.0050.6
0.75"	25.4	15.8	124	40	95	10	BLV.STH.CC.0075.6
1.00"	50.5	22.1	124	48	100	10	BLV.STH.CC.0100.6
1.50"	50.5	34.8	124	60	115	10	BLV.STH.CC.0150.6
2.00"	64.0	47.5	185	68	136	10	BLV.STH.CC.0200.6
2.50"	77.5	60.2	205	80	150	8	BLV.STH.CC.0250.6
3.00"	91.0	72.9	243	94	172	8	BLV.STH.CC.0300.6
4.00"	119.0	97.4	273	116	206	8	BLV.STH.CC.0400.6

Published Data Is Given in Good Faith. We Reserve the Right To, Without Warning Change the Dimensions When Not In Conflict With The Published Standard

Flowsource Process Fittings Ltd

Unit 4 Marrtree Business Park, Cedar Road, Sowerby, Thirsk, North Yorkshire, YO7 3FF, United Kingdom  
[T] 01535 274 316 - [e] sales@flowsourcepf.com - [w] www.flowsourcepf.com

**FLWSOURCE**  
PROCESS FITTINGS